

MATERIAL

- 1. CONTACT: PHOSPHOR BRONZE C5210-EH T=0.20mm
- 2. CONNECTOR HOUSING: LCP UL 94V-0. COLOR: BLACK
- 3. MOULDED INSET: HIGH TEMPERATURE PLASTIC UL 94V-0. COLOR: BLACK
- 4. CAGE: COPPER ALLOY C7701 T=0.25
- 5. LIGHT PIPES: POLYCARBONATE. UL 94V-0. COLOR: CLEAR
- 6. LIGHT PIPE HOUSING: PBT+20%.G.F. UL 94V-0 COLOR: BLACK.

PLATED:

- 1. CONTACT MATING AREA: GOLD 0.38 MICROMETERS MINIMUM OVER 1.27 MICROMETERS MINIMUM NICKEL.
- 2. CONTACT NEEDLE EYE: 1.27 MICROMETERS MINIMUM MATTE TIN OVER 1.27 MICROMETERS MINIMUM NICKEL.

MECHANICAL REQUIREMENT:

- 1. DURABILITY: 100 CYCLES MIN.
- 2. INSERTION AND EXTRACTIN FORCE: 40N MAX & 11.50N MAX

ENVIRONMENTAL:

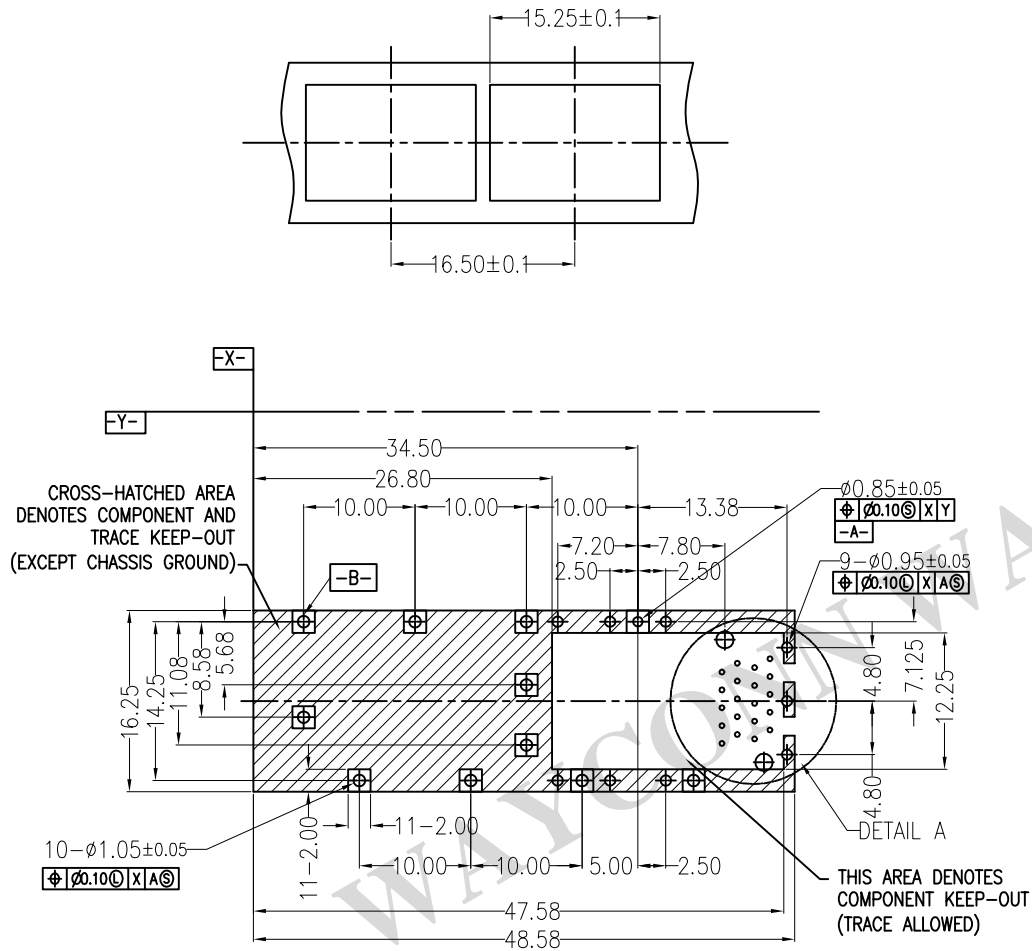
- 1. INSULATION RESISTANCE: 500 MEGA-OHMS MIN.
- 2. RATINGS CURRENT: 0.5 Amps MAX.
- 3. RATINGS VOLTAGE: 120 Volts AC.
- 4. OPERATION: -40°C TO +85°C
- 5. STORAGE: -55°C TO +105°C
- 6. ROHS COMPLIANT

SFP A-PT E 11 0 1

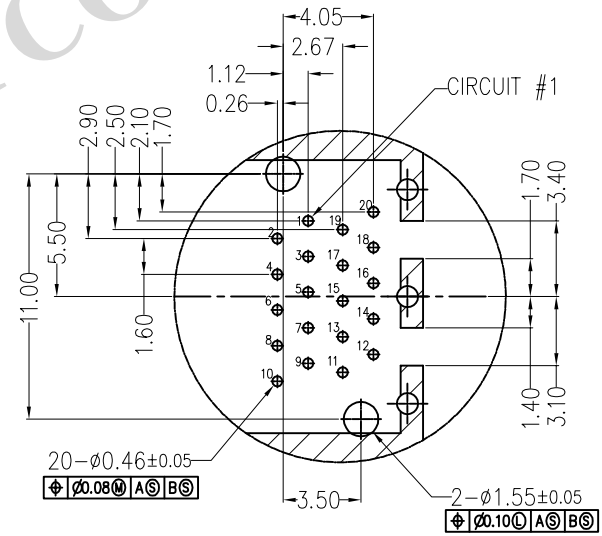
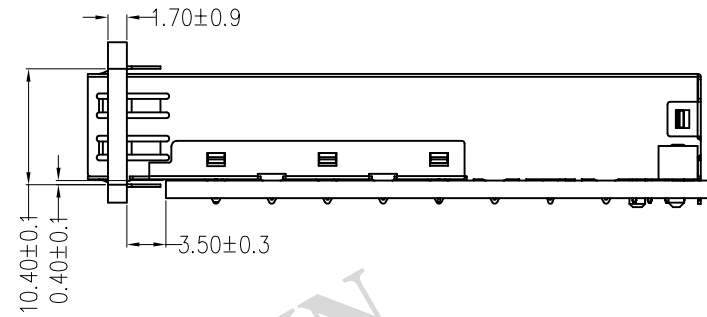
SFP - CATEGORY
A: PRODUCT - CAGE
PT: PRESS-FIT
E: w/ EMI TAB

1: SERIES No.
0: w/o LIGHT PIPE
11: Nos. OF PORTS - 1X1

GENERAL TOLERANCE .X ±0.20 .XX ±0.15 .XXX ±0.10 ANGLES ±0.5 SCALE 1:1 SHEET 1 OF 2	PROJECTION		TITLE	SFP CAGE 1X1	
	UNITS	mm		PRESS-FIT W/O LIGHT PIPE	
	SHEET SIZE	A4	P/N:	SFPA-PTE1101	
WAYCONN ELECTRONICS					



PCB LAYOUT COMPONENT SIDE TOLERANCE ±0.05



DETAIL A
SCALE 2:1

GENERAL TOLERANCE		PROJECTION	TITLE	SFP CAGE 1X1	
.X	±0.20			UNITS	mm
.XX	±0.15	SHEET SIZE	A4	P/N:	SFPA-PTE1101
.XXX	±0.10	WAYCONN ELECTRONICS			
ANGLES ±0.5					
SCALE	1:1				
SHEET	2 OF 2				