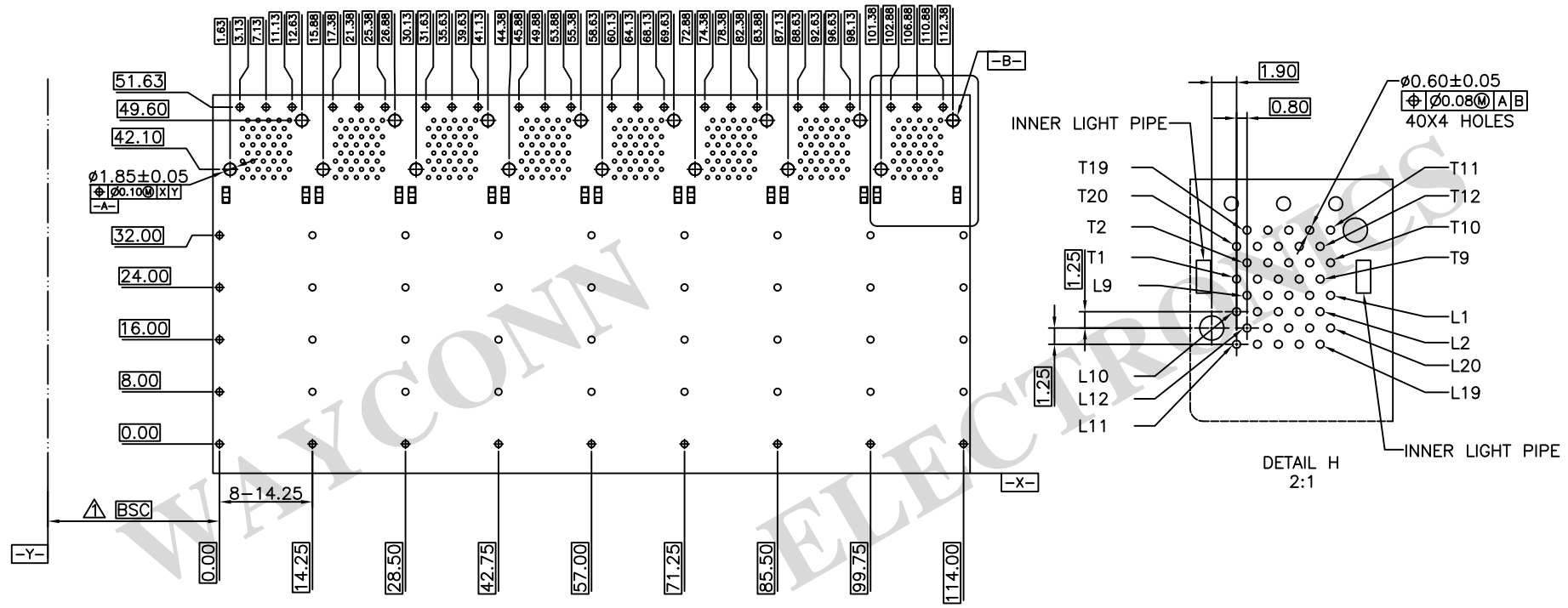


MATERIAL:
CAGE:
 NICKEL SILVER, THICKNESS 0.25MM
CONNECTOR:
 PLASTIC HOUSING: HIGH TEMPERATURE LCP, UL94 V-0
 SPRING: STAINLESS STEEL, THICKNESS 0.20MM
 CONTACTS: PHOSPHOR BRONZE, THICKNESS 0.20MM
 PLATING: 15u" MIN. GOLD ON MATING AREA;
 150u" MIN. MATE TIN ON SOLDER TAILS.
PACKING: TRAY/CARTON
TEMPERATURE RANGE: -40°C ~ 85°C

PRODUCT TITLE:		SFP Cage & Connector 2X8, PRESS-FIT, with 2 Light Pipes		
UNLESS OTHERWISE SPECIFIED TOLERANCES	SCALE: 1/1	UNIT: mm		SC0-N28PL2-2
	SIZE: A3	PAGE: 1 OF 1	RAV.A01	
X :±0.2	X :±1°	WAYCONN ELECTRONICS		
.XX :±0.15	.XX :±5°			
.XXX :±0.1				

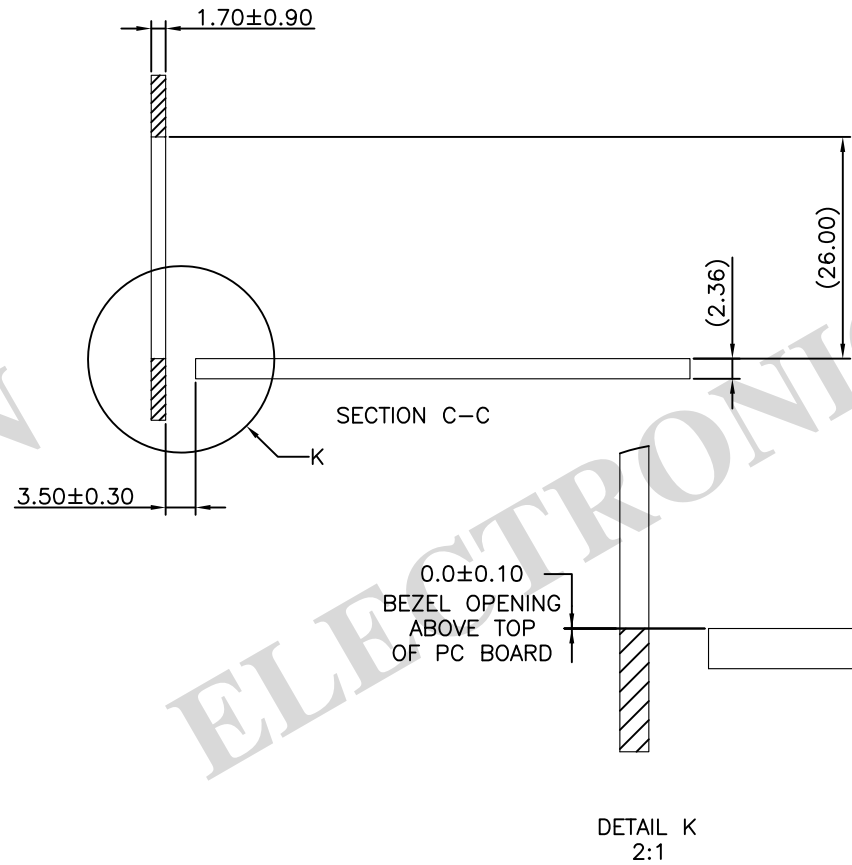
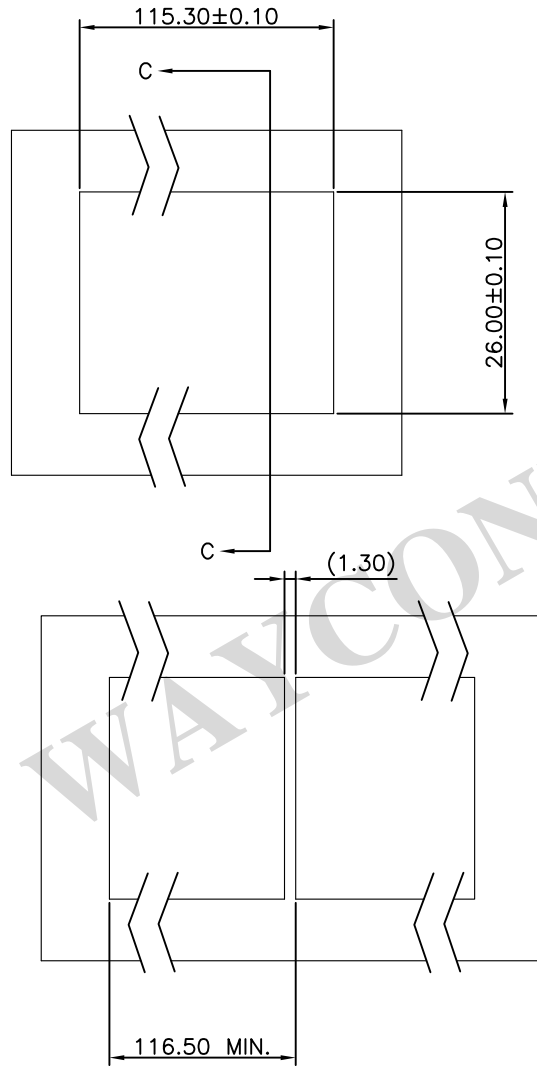


ECOMMENDED PCB CONFIGURATION

- NOTES:
1. DATUM AND BASIC DIMENSIONS ESTABLISHED BY CUSTOMER.
 2. 1.05 mm DIAMETER HOLES ARE CHASSIS GROUND (18 HOLES).

PRODUCT TITLE:		SFP Cage & Connector 2X8, PRESS-FIT, with 2 Light Pipes	
UNLESS OTHERWISE SPECIFIED TOLERANCES	SCALE: 1/1	UNIT: mm	SC0-N28PL2-2
	SIZE: A3	PAGE: 1 OF 1	RAV.A01
X	:±0.2	X	:±1°
.XX	:±0.15	.XX	:±5°
.XXX	:±0.1		

WAYCONN ELECTRONICS



RECOMMENDED BEZEL DESIGN

PRODUCT TITLE:		SFP Cage & Connector 2X8, PRESS-FIT, with 2 Light Pipes		
UNLESS OTHERWISE SPECIFIED TOLERANCES	SCALE: 1/1	UNIT: mm		SC0-N28PL2-2
	SIZE: A3	PAGE: 1 OF 1	RAV.A01	
X	:±0.2	X	:±1°	WAYCONN ELECTRONICS
.XX	:±0.15	.XX	:±5°	
.XXX	:±0.1			