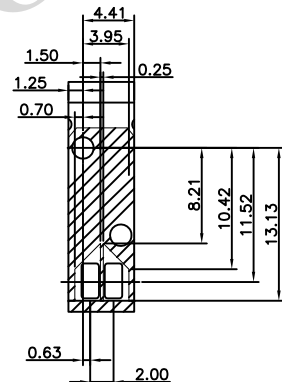
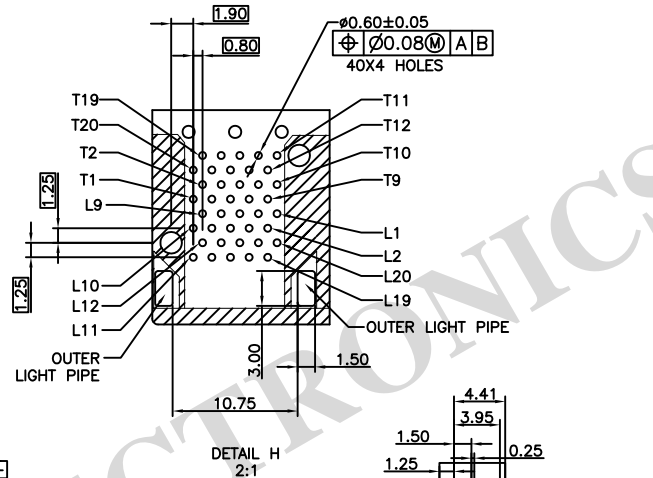
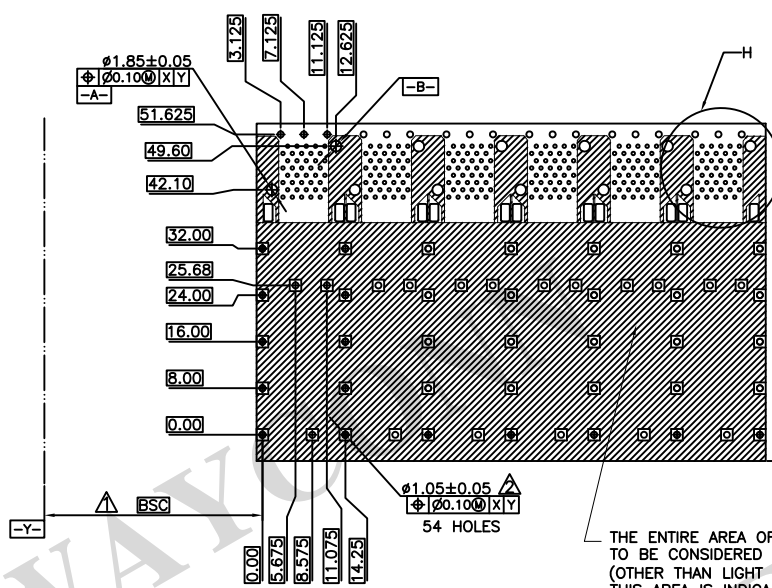


WAYCONN ELECTRONICS

MATERIAL:
CAGE:
 NICKEL SILVER, THICKNESS 0.25MM
CONNECTOR:
 PLASTIC HOUSING: HIGH TEMPERATURE LCP, UL94 V-0
 SPRING: STAINLESS STEEL, THICKNESS 0.20MM
 CONTACTS: PHOSPHOR BRONZE, THICKNESS 0.20MM
 PLATING: 15u" MIN. GOLD ON MATING AREA;
 150u" MIN. MATE TIN ON SOLDER TAILS.
PACKING: TRAY/CARTON
TEMPERATURE RANGE: -40°C ~ 85°C

PRODUCT TITLE:		SFP Cage & Connector 2X6, PRESS-FIT, with 2 Light Pipes		
UNLESS OTHERWISE SPECIFIED TOLERANCES	SCALE: 1/1	UNIT: mm		SC0-N26PL2-2
	SIZE: A3	PAGE: 1 OF 1	RAV.A01	
X :±0.2	X :±1°	WAYCONN ELECTRONICS		
.XX :±0.15	.XX :±5°			
.XXX :±0.1				



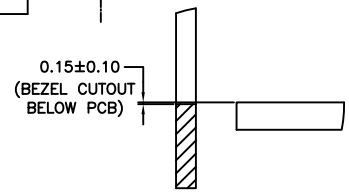
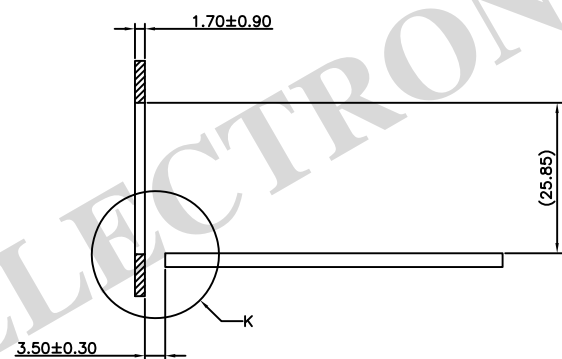
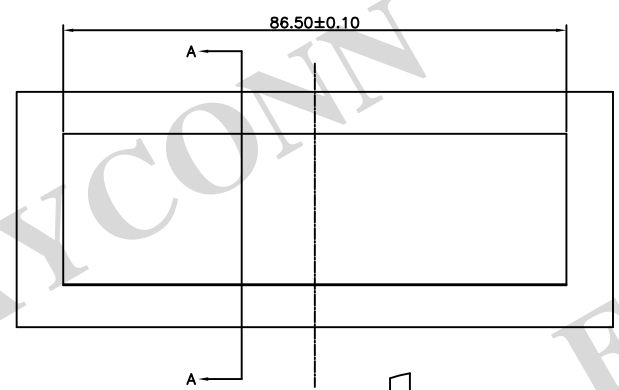
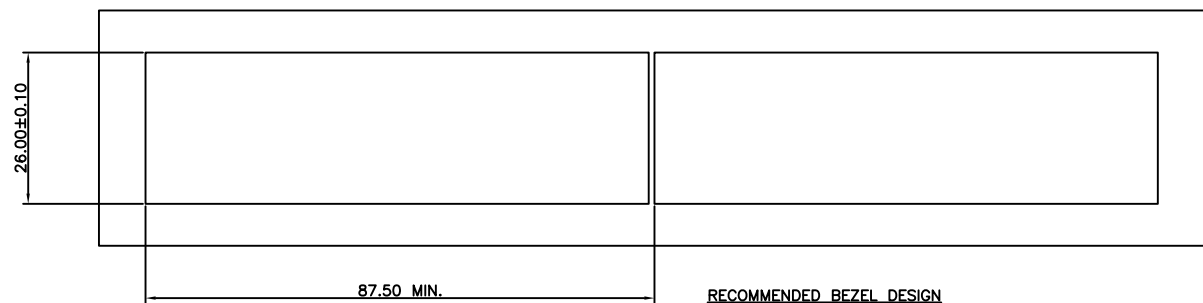
ECOMMENDED PCB CONFIGURATION

THE ENTIRE AREA OF THE CONNECTOR FOOTPRINT TO BE CONSIDERED THE KEEP OUT AREA FOR COMPONENTS (OTHER THAN LIGHT PIPE LE'S) THIS AREA IS INDICAATED BY THE ADSHED LINE

- NOTES:
1. DATUM AND BASIC DIMENSIONS ESTABLISHED BY CUSTOMER.
 2. 1.05 mm DIAMETER HOLES ARE CHASSIS GROUND.
 3. LED HEIGHT LESS THAN 0.80 MM.

DETAIL LIGHT PIPE LOCATION AND OTHER ZONES
DETAIL K
2:1

PRODUCT TITLE:		SFP Cage & Connector 2X6, PRESS-FIT, with 2 Light Pipes		
UNLESS OTHERWISE SPECIFIED TOLERANCES	SCALE: 1/1	UNIT: mm		SC0-N26PL2-2
	SIZE: A3	PAGE: 1 OF 1	RAV.A01	
X	:±0.2	X	:±1°	WAYCONN ELECTRONICS
.XX	:±0.15	.XX	:±5°	
.XXX	:±0.1			



DETAIL K
2:1

PRODUCT TITLE:		SFP Cage & Connector 2X6, PRESS-FIT, with 2 Light Pipes		
UNLESS OTHERWISE SPECIFIED TOLERANCES	SCALE: 1/1	UNIT: mm		SC0-N26PL2-2
	SIZE: A3	PAGE: 1 OF 1	RAV.A01	
X	:±0.2	X	:±1°	WAYCONN ELECTRONICS
.XX	:±0.15	.XX	:±5°	
.XXX	:±0.1			