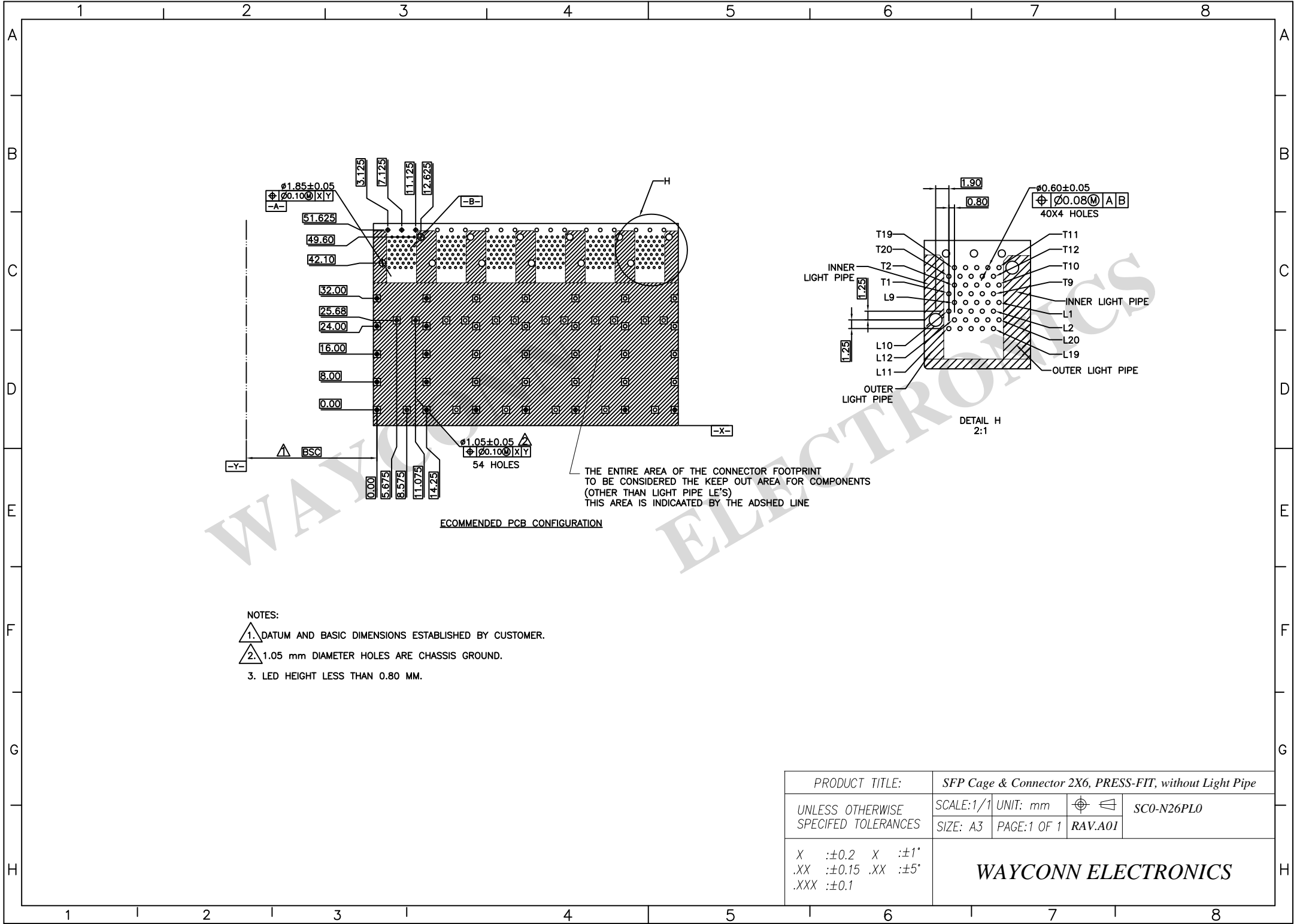


WAYCONN ELECTRONICS

MATERIAL:
CAGE:
 NICKEL SILVER, THICKNESS 0.25MM
CONNECTOR:
 PLASTIC HOUSING: HIGH TEMPERATURE LCP, UL94 V-0
 SPRING: STAINLESS STEEL, THICKNESS 0.20MM
 CONTACTS: PHOSPHOR BRONZE, THICKNESS 0.20MM
 PLATING: 15u" MIN. GOLD ON MATING AREA;
 150u" MIN. MATE TIN ON SOLDER TAILS.
PACKING: TRAY/CARTON
TEMPERATURE RANGE: -40°C ~ 85°C

PRODUCT TITLE:		SFP Cage & Connector 2X6, PRESS-FIT, without Light Pipe		
UNLESS OTHERWISE SPECIFIED TOLERANCES	SCALE: 1/1	UNIT: mm		SC0-N26PL0
	SIZE: A3	PAGE: 1 OF 1	RAV.A01	
X :±0.2	X :±1°	WAYCONN ELECTRONICS		
.XX :±0.15	.XX :±5°			
.XXX :±0.1				

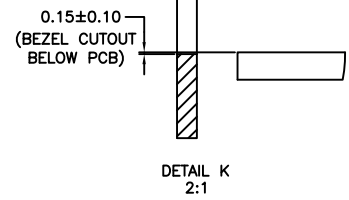
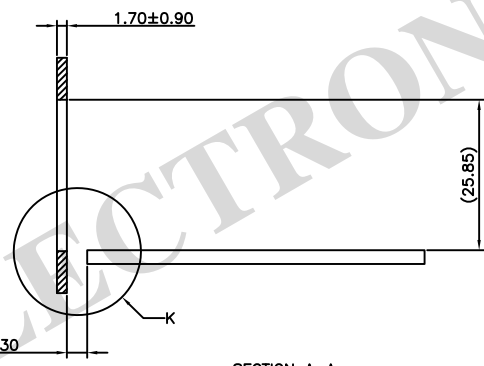
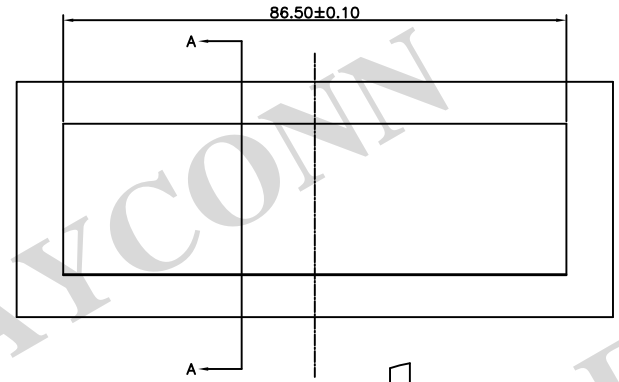
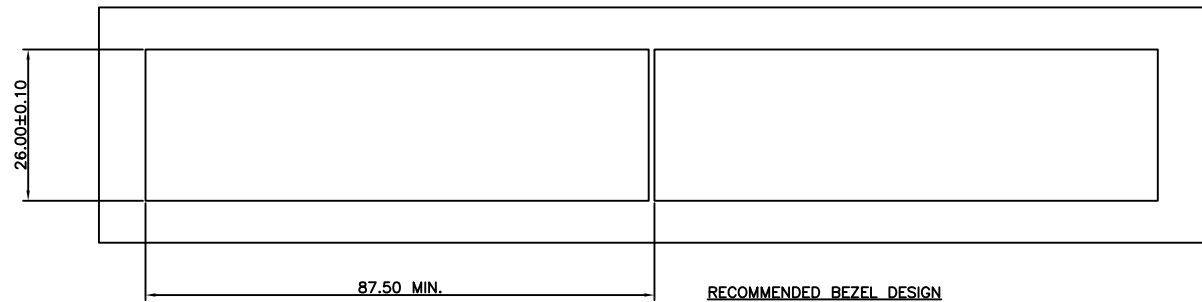


ECOMMENDED PCB CONFIGURATION

- NOTES:
- 1. DATUM AND BASIC DIMENSIONS ESTABLISHED BY CUSTOMER.
 - 2. 1.05 mm DIAMETER HOLES ARE CHASSIS GROUND.
 - 3. LED HEIGHT LESS THAN 0.80 MM.

THE ENTIRE AREA OF THE CONNECTOR FOOTPRINT TO BE CONSIDERED THE KEEP OUT AREA FOR COMPONENTS (OTHER THAN LIGHT PIPE LE'S) THIS AREA IS INDICATED BY THE ADSHED LINE

PRODUCT TITLE:		SFP Cage & Connector 2X6, PRESS-FIT, without Light Pipe		
UNLESS OTHERWISE SPECIFIED TOLERANCES	SCALE: 1/1	UNIT: mm		SC0-N26PL0
	SIZE: A3	PAGE: 1 OF 1	RAV.A01	
X	:±0.2	X	:±1°	WAYCONN ELECTRONICS
.XX	:±0.15	.XX	:±5°	
.XXX	:±0.1			



PRODUCT TITLE:		SFP Cage & Connector 2X6, PRESS-FIT, without Light Pipe		
UNLESS OTHERWISE SPECIFIED TOLERANCES	SCALE: 1/1	UNIT: mm		SC0-N26PL0
	SIZE: A3	PAGE: 1 OF 1	RAV.A01	
X :±0.2	X :±1°	WAYCONN ELECTRONICS		
.XX :±0.15	.XX :±5°			
.XXX :±0.1				