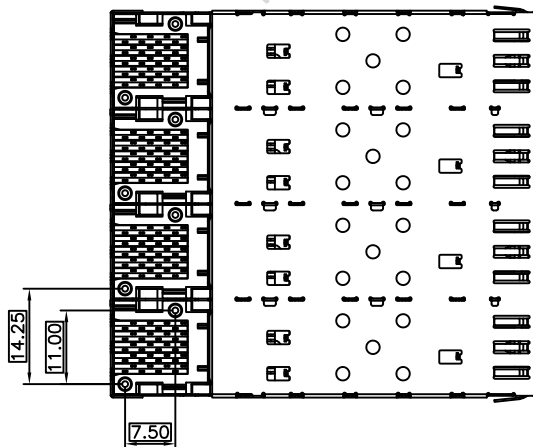
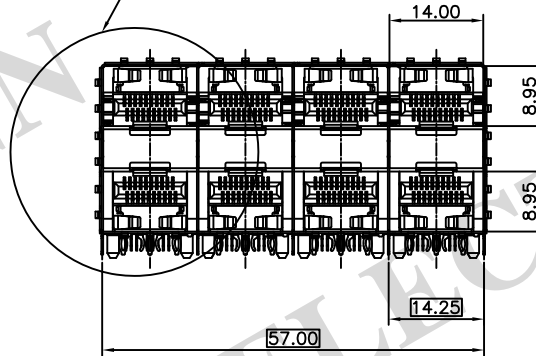
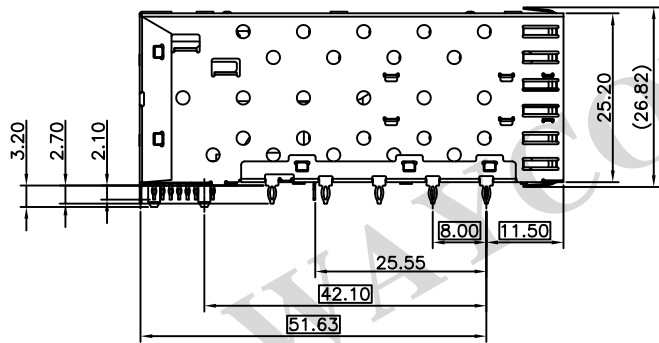
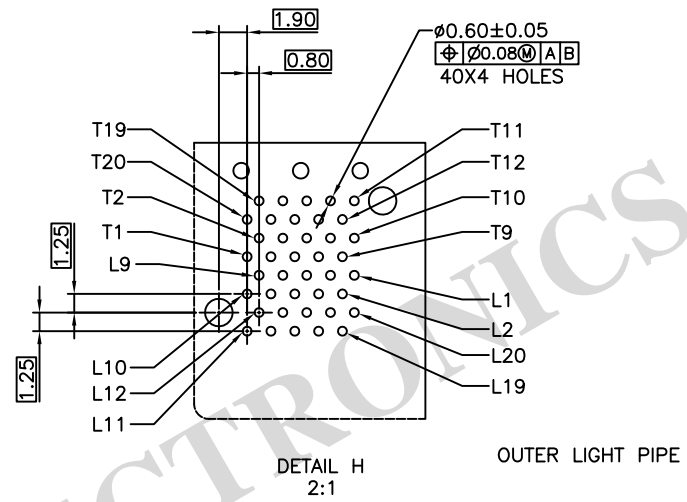
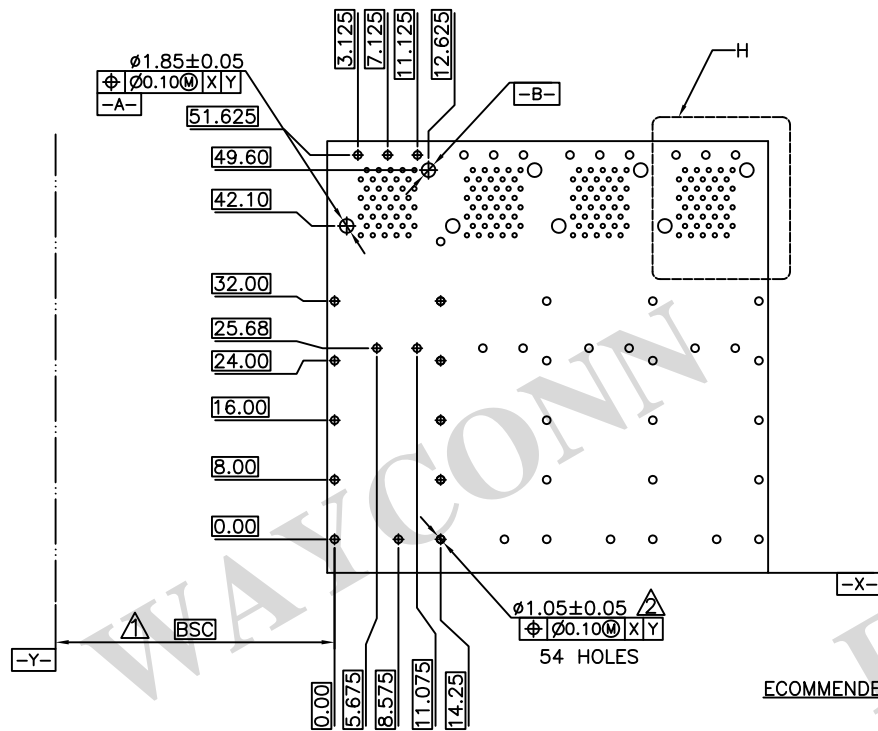


DETAIL A
1:1



MATERIAL:
CAGE:
 NICKEL SILVER, THICKNESS 0.25MM
CONNECTOR:
 PLASTIC HOUSING: HIGH TEMPERATURE LCP, UL94 V-0
 SPRING: STAINLESS STEEL, THICKNESS 0.20MM
 CONTACTS: PHOSPHOR BRONZE, THICKNESS 0.20MM
 PLATING: 15u" MIN. GOLD ON MATING AREA;
 150u" MIN. MATE TIN ON SOLDER TAILS.
PACKING: TRAY/CARTON
TEMPERATURE RANGE: -40°C ~ 85°C

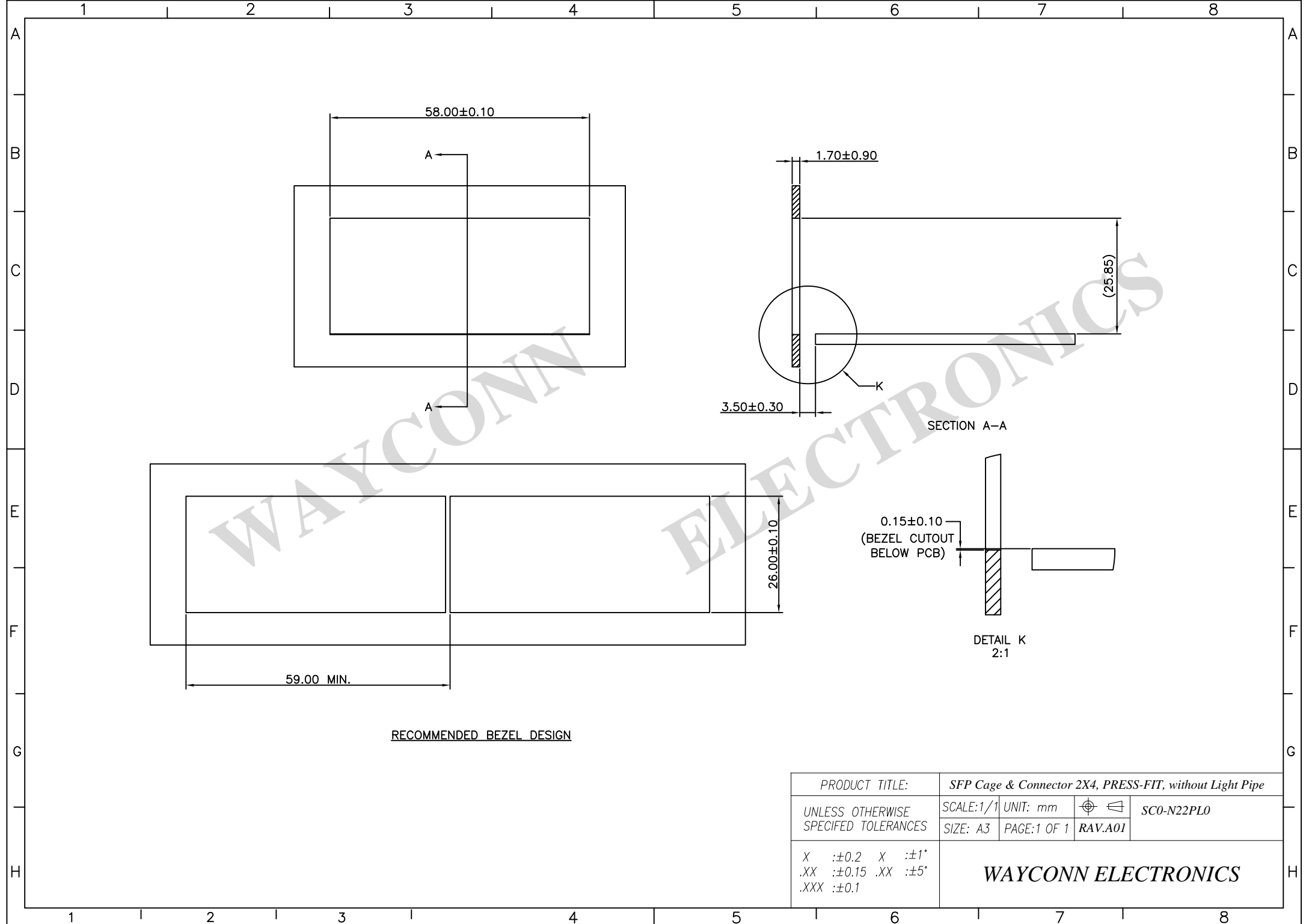
PRODUCT TITLE:		SFP Cage & Connector 2X4, PRESS-FIT, without Light Pipe		
UNLESS OTHERWISE SPECIFIED TOLERANCES	SCALE: 1/1	UNIT: mm		SC0-N22PL0
	SIZE: A3	PAGE: 1 OF 1	RAV.A01	
X :±0.2	X :±1°	WAYCONN ELECTRONICS		
.XX :±0.15	.XX :±5°			
.XXX :±0.1				



RECOMMENDED PCB CONFIGURATION

- NOTES:
1. DATUM AND BASIC DIMENSIONS ESTABLISHED BY CUSTOMER.
 2. 1.05 mm DIAMETER HOLES ARE CHASSIS GROUND (54 HOLES).

PRODUCT TITLE:		SFP Cage & Connector 2X4, PRESS-FIT, without Light Pipe		
UNLESS OTHERWISE SPECIFIED TOLERANCES	SCALE: 1/1	UNIT: mm		SC0-N22PL0
	SIZE: A3	PAGE: 1 OF 1	RAV.A01	
X	:±0.2	X	:±1°	WAYCONN ELECTRONICS
.XX	:±0.15	.XX	:±5°	
.XXX	:±0.1			



RECOMMENDED BEZEL DESIGN

SECTION A-A

DETAIL K
2:1

PRODUCT TITLE:		SFP Cage & Connector 2X4, PRESS-FIT, without Light Pipe		
UNLESS OTHERWISE SPECIFIED TOLERANCES	SCALE: 1/1	UNIT: mm		SC0-N22PL0
	SIZE: A3	PAGE: 1 OF 1	RAV.A01	
X	:±0.2	X	:±1°	WAYCONN ELECTRONICS
.XX	:±0.15	.XX	:±5°	
.XXX	:±0.1			