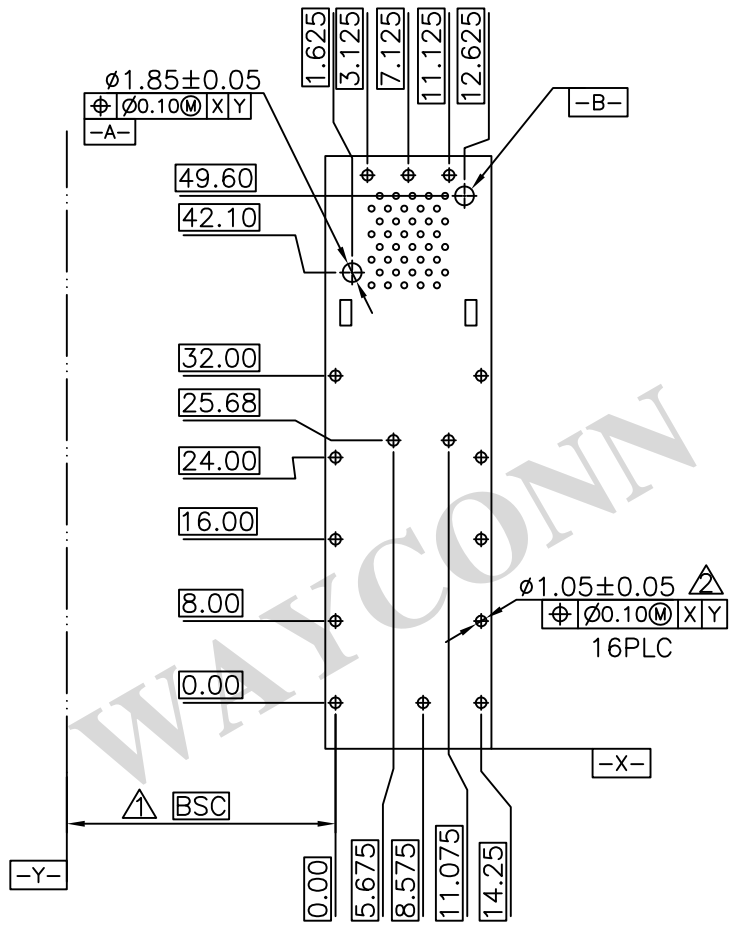
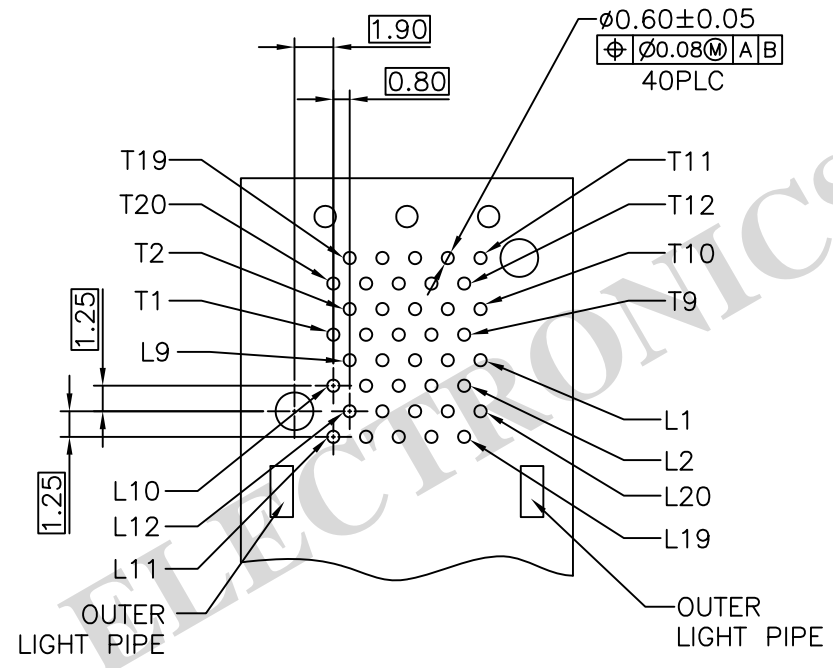


MATERIAL:
CAGE:
 NICKEL SILVER, THICKNESS 0.25MM
CONNECTOR:
 PLASTIC HOUSING: HIGH TEMPERATURE LCP, UL94 V-0
 SPRING: STAINLESS STEEL, THICKNESS 0.20MM
 CONTACTS: PHOSPHOR BRONZE, THICKNESS 0.20MM
 PLATING: 15u" MIN. GOLD ON MATING AREA;
 150u" MIN. MATE TIN ON SOLDER TAILS.
PACKING: TRAY/CARTON
TEMPERATURE RANGE: -40°C ~ 85°C

PRODUCT TITLE:		SFP Cage & Connector 2X1, PRESS-FIT, with 2 Light Pipes	
UNLESS OTHERWISE SPECIFIED TOLERANCES	SCALE: 1/1	UNIT: mm	SC0-N21PL2-2
	SIZE: A3	PAGE: 1 OF 1	
X :±0.2	X :±1°	WAYCONN ELECTRONICS	
.XX :±0.15	.XX :±5°		
.XXX :±0.1			



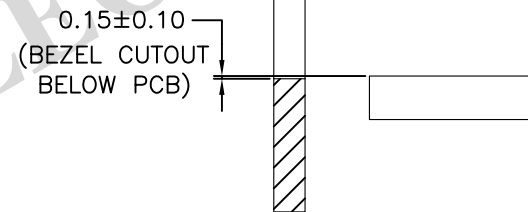
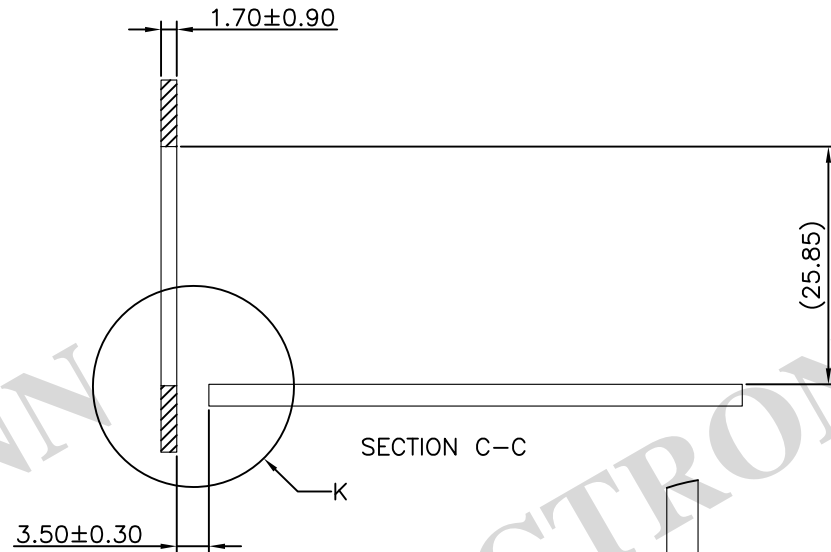
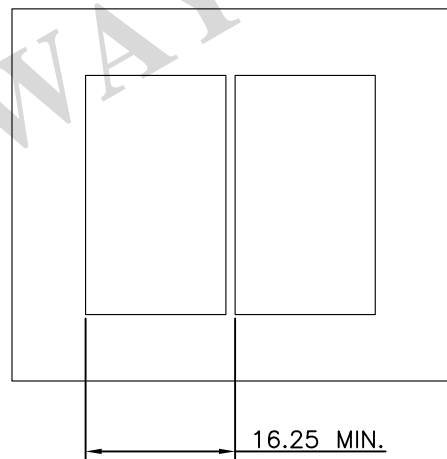
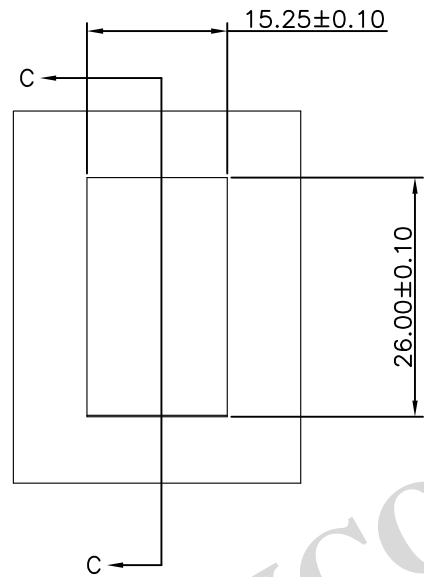
RECOMMENDED PCB CONFIGURATION



NOTES:

1. DATUM AND BASIC DIMENSIONS ESTABLISHED BY CUSTOMER.
2. 1.05 mm DIAMETER HOLES ARE CHASSIS GROUND .

PRODUCT TITLE:		SFP Cage & Connector 2X1, PRESS-FIT, with 2 Light Pipes	
UNLESS OTHERWISE SPECIFIED TOLERANCES	SCALE: 1/1	UNIT: mm	SC0-N21PL2-2
	SIZE: A3	PAGE: 1 OF 1	RAV.A01
X :±0.2	X :±1°	WAYCONN ELECTRONICS	
.XX :±0.15	.XX :±5°		
.XXX :±0.1			



RECOMMENDED BEZEL DESIGN

DETAIL K
2:1

PRODUCT TITLE:		<i>SFP Cage & Connector 2X1, PRESS-FIT, with 2 Light Pipes</i>	
UNLESS OTHERWISE SPECIFIED TOLERANCES	SCALE: 1/1	UNIT: mm	SC0-N21PL2-2
	SIZE: A3	PAGE: 1 OF 1	RAV.A01
X :±0.2	X :±1°	WAYCONN ELECTRONICS	
.XX :±0.15	.XX :±5°		
.XXX :±0.1			