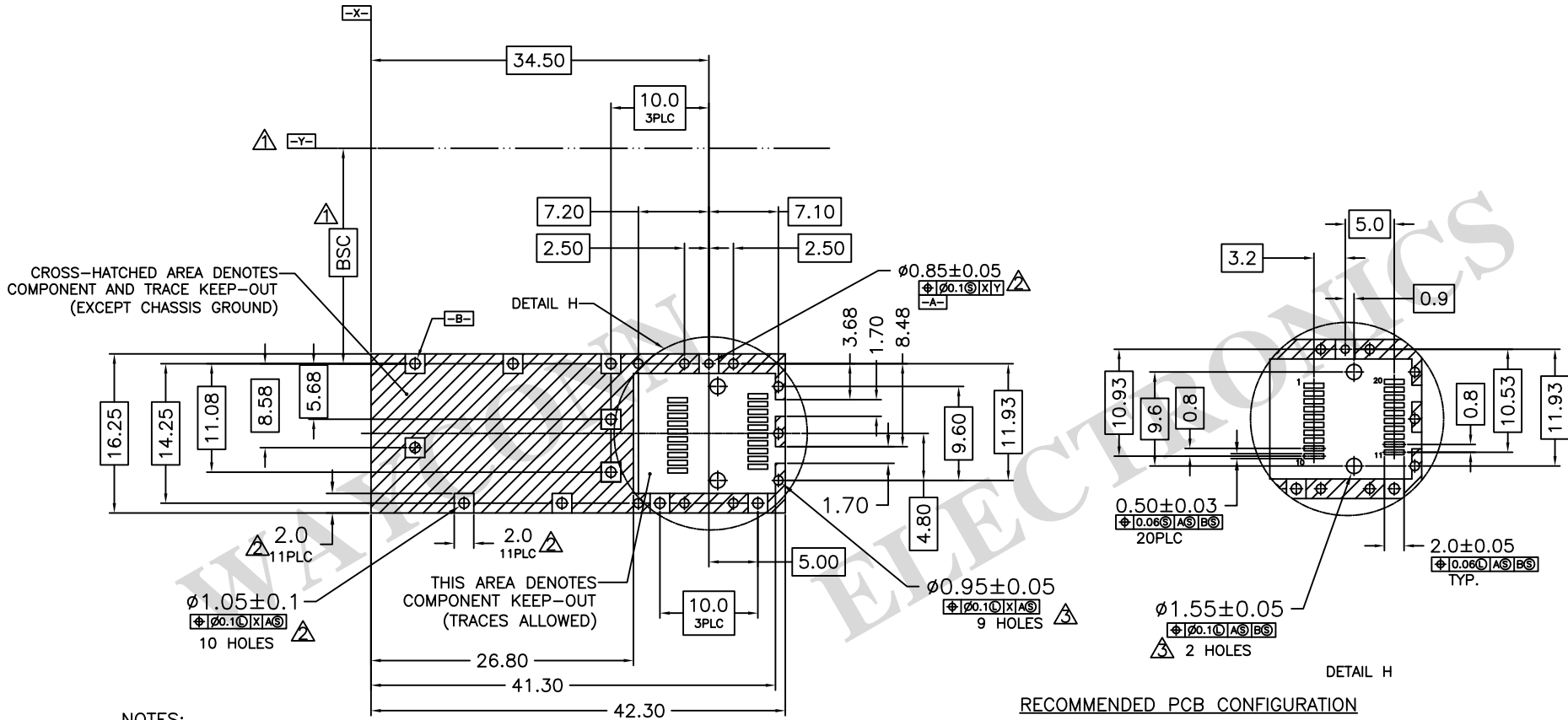


NOTE:
 1. MATERIAL NICKEL SILVER, THICKNESS 0.25MM
 2. PACKING: TRAY
 3. TEMPERATURE RANGE: -55°C ~ 85°C

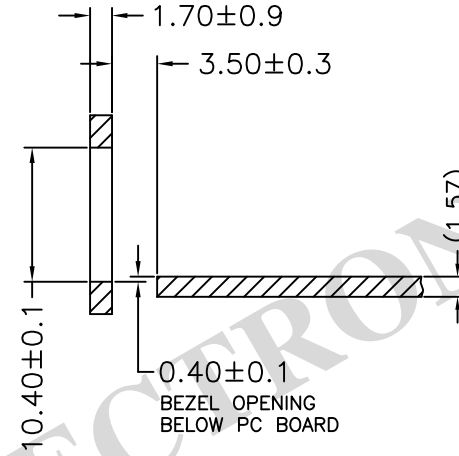
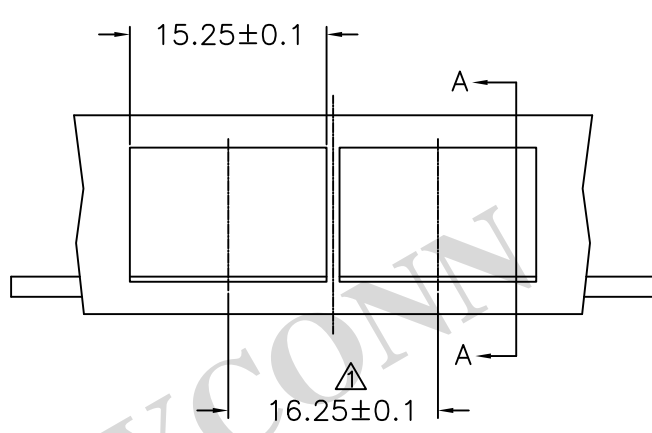
PRODUCT TITLE:		SFP CAGE IXI, GROUNDING PIN		
UNLESS OTHERWISE SPECIFIED TOLERANCES	SCALE: 1/1	UNIT: mm		SC0-N11SLO
	SIZE: A3	PAGE: 1 OF 1	RAV.A01	
X	:±0.2	X	:±1°	WAYCONN ELECTRONICS
.XX	:±0.15	.XX	:±5°	
.XXX	:±0.1			



NOTES:

- △ DATUM AND BASIC DIMENSIONS ESTABLISHED BY CUSTOMER
- △ PADS AND VIAS ARE CHASSIS GROUND, 11 PLACES
- △ THRU HOLES, PLATING OPTIONAL

PRODUCT TITLE:		SFP CAGE IXI, GROUNDING PIN	
UNLESS OTHERWISE SPECIFIED TOLERANCES	SCALE: 1/1	UNIT: mm	SC0-N11SLO
	SIZE: A3	PAGE: 1 OF 1	RAV.A01
X	:±0.2	X	:±1°
.XX	:±0.15	.XX	:±5°
.XXX	:±0.1		
WAYCONN ELECTRONICS			



SECTION A-A

RECOMMENDED BEZEL DESIGN

NOTES:
 △ MINIMUM PITCH ILLUSTRATED, ENGLISH DIMENSIONS ARE FOR REFERENCE ONLY

PRODUCT TITLE:		<i>SFP CAGE IXI, GROUNDING PIN</i>		
UNLESS OTHERWISE SPECIFIED TOLERANCES	SCALE: 1/1	UNIT: mm		SC0-N11SLO
	SIZE: A3	PAGE: 1 OF 1	RAV.A01	
X	:±0.2	X	:±1°	WAYCONN ELECTRONICS
.XX	:±0.15	.XX	:±5°	
.XXX	:±0.1			