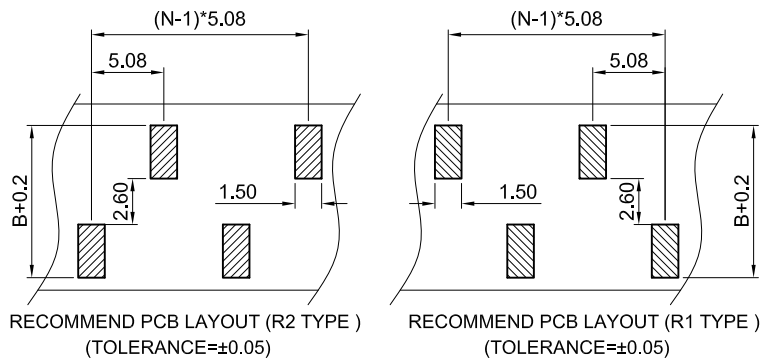
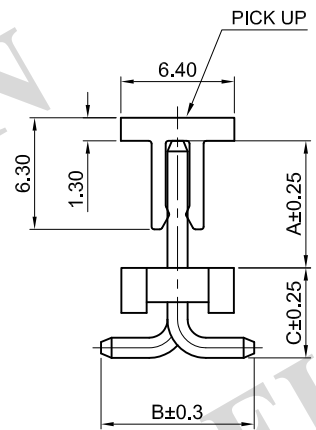
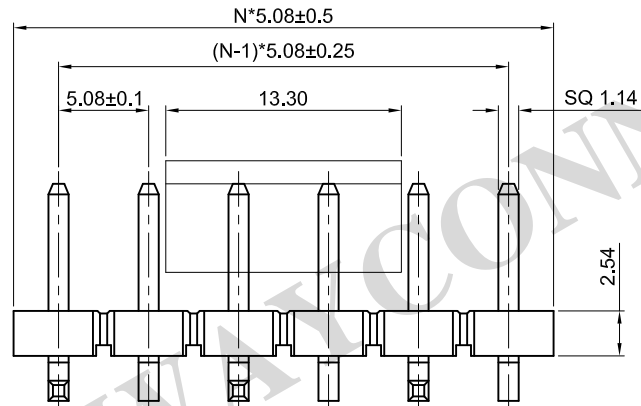
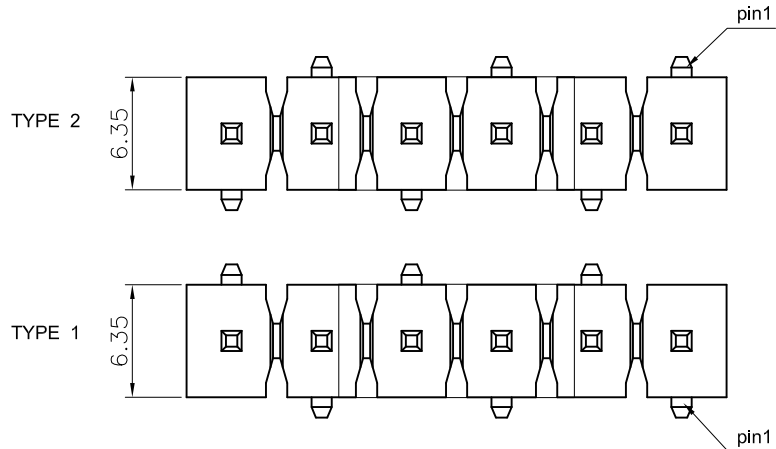


N=No. OF CONTACTS



1. MATERIAL
  - 1.1 INSULATOR: THERMOPLASTIC (UL 94V-0).
  - 1.2 CONTACT MATERIAL: COPPER ALLOY.
2. SPECIFICATION
  - 2.1 CURRENT RATING: 7.0 Amp.
  - 2.2 VOLTAGE RATING: 250V AC RMS.
  - 2.3 INSULATION RESISTANCE: 1000mΩ Min.
  - 2.4 DIELECTRIC WITHSTANDING: 1000VAC.
  - 2.5 CONTACT RESISTENCE: 20mΩ Max.
  - 2.6 OPERATING TEMPERATURE: -40°C TO +105°C.
3. PLASTIC WITHSTAND TEMP
  - 3.1 MAX PROCESSING TEMP:
    - 180°C FOR 30-60 SEC.; (200°C FOR 5-10 SEC.) - PBT
    - 230°C FOR 30-60 SEC.; (260°C FOR 5-10 SEC.) - PA6T

**FH 508 - XXX - XXX GX**

<b>Gender</b>	<b>Contact Plating</b>
P=Pin Header	G0: Gold Flash
F=Female Header	G2: 1U" Gold
	G3: 3U" Gold
	G4: 5U" Gold
	G5: 10U" Gold
	G6: 15U"
	Gold SN: Tin
<b>Pitch</b>	<b>Packing Style</b>
1.27=127	1. Loose in Bag
2.00=200	2. Tape & Reel
2.54=254	3. Tube
3.96=396	
5.08=508	
<b>No. of PINS</b>	<b>Insulator Material</b>
1 x 01 ~ 1 x 40 PINS	1: PBT
2 x 01 ~ 2 x 40 PINS	2: PA6T
3 x 01 ~ 3 x 40 PINS	3: PA9T
	4: LCP
<b>Connector Type</b>	
S=Straight	
R=Right Angle	
M=SMT	

PRODUCT TITLE:	5.08mm SMT Pin Header, Straight, Single Row, H: 2.54mm		
UNLESS OTHERWISE SPECIFIED TOLERANCES	SCALE: 1/1	UNIT: mm	PH508-1XX-MXXG0-02
	SIZE: A3	PAGE: 1 OF 1	
DECIMALS:	ANGLES:	<b>WAYCONN ELECTRONICS</b>	
X : ±0.5	X : ±6°		
X.X : ±0.3	X.X : ±3°		
X.XX : ±0.2	X.XX : ±2°		