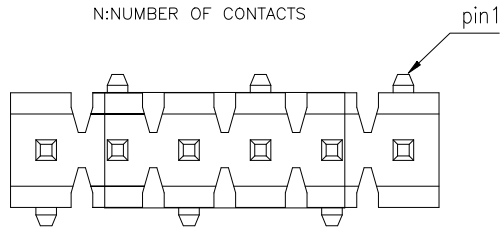
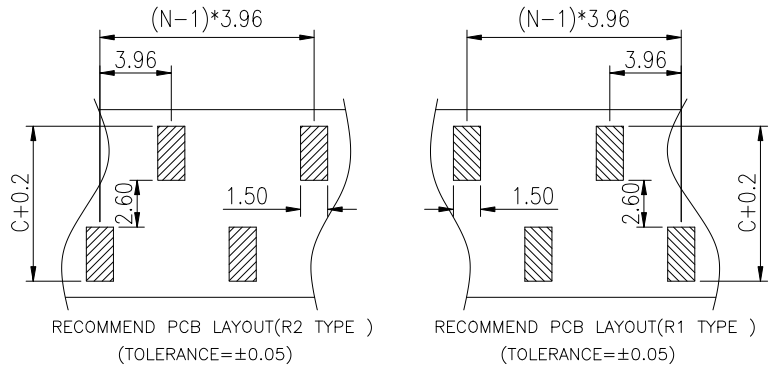
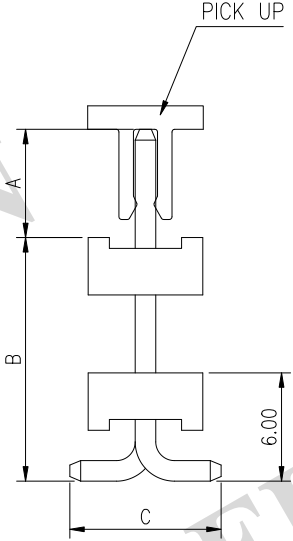
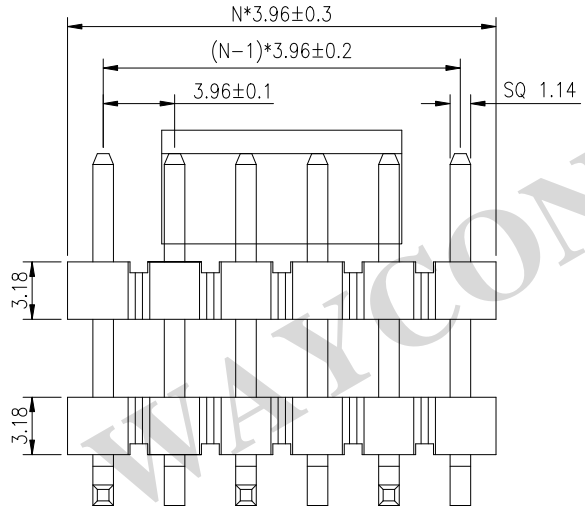
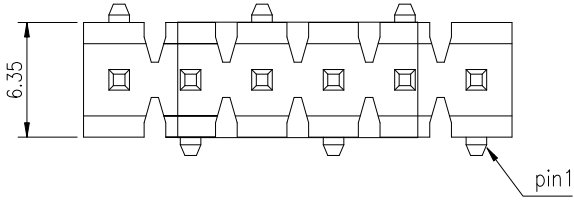


TYPE 2




TYPE 1



1. MATERIAL
 - 1.1 INSULATOR: THERMOPLASTIC (UL 94V-0).
 - 1.2 CONTACT MATERIAL: COPPER ALLOY.
2. SPECIFICATION
 - 2.1 CURRENT RATING: 7.0 Amp.
 - 2.2 INSULATION RESISTANCE: 1000mΩ Min.
 - 2.3 DIELECTRIC WITHSTANDING: 250VAC.
 - 2.4 CONTACT RESISTENCE: 20mΩ Max.
 - 2.5 OPERATING REMPERATURE: -40°C TO +105°C.
3. PLASTIC WITHSTAND TEMP
 - 3.1 MAX PROCESSING TEMP:
 - 180°C FOR 30-60 SEC.; (200°C FOR 5-10 SEC.) - PBT
 - 230°C FOR 30-60 SEC.; (260°C FOR 5-10 SEC.) - PA6T

PH 396 - XXX - XXX GX - 05

Gender	Plating
P=Pin Header F=Female Header	G0: Gold Flash G2: 1U" Gold G3: 3U" Gold G4: 5U" Gold G5: 10U" Gold G6: 15U" Gold SN: Tin
Pitch	Packing Style
1.27=127 2.00=200 2.54=254 3.96=396 5.08=508	1. Loose in Bag 2. Tape & Reel 3. Tube
No. of PINS	Insulator Material
1 x 01 ~ 1 x 40 PINS 2 x 01 ~ 2 x 40 PINS 3 x 01 ~ 3 x 40 PINS	1: PBT 2: PA6T 3: PA9T 4: LCP
Connector Type	
S= Straight R= Right Angle M= SMT	

PRODUCT TITLE:	3.96mm Pin Header, SMT, Elevated, Single Row, H: 3.18mm		
UNLESS OTHERWISE SPECIFIED TOLERANCES	SCALE: 1/1	UNIT: mm	 RAV.A01
	SIZE: A3	PAGE: 1 OF 1	
DECIMALS: X :±0.5 X.X :±0.3 X.XX :±0.2	ANGLES: X :±6° X.X :±3° X.XX :±2°	WAYCONN ELECTRONICS	