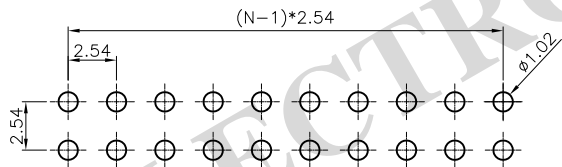
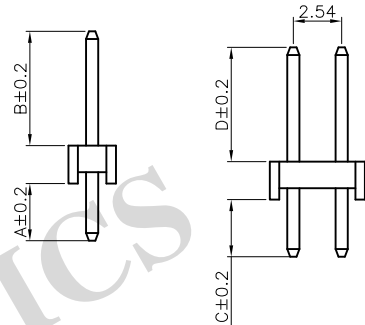


N: NUMBER OF CONTACTS/2 (DOUBLE ROW)
 N: NUMBER OF CONTACTS (SINGLE ROW)



RECOMMEND PCB LAYOUT

1. MATERIAL

- 1.1 INSULATOR: THERMOPLASTIC (UL 94V-0).
- 1.2 CONTACT MATERIAL: COPPER ALLOY.

2. SPECIFICATION

- 2.1 CURRENT RATING: 3.0 Amp.
- 2.2 INSULATION RESISTANCE: 1000mΩ Min.
- 2.3 DIELECTRIC WITHSTANDING: 600VAC.
- 2.4 CONTACT RESISTENCE: 20mΩ Max.
- 2.5 OPERATING TEMPERATURE: -40°C TO +105°C.

3. PLASTIC WITHSTAND TEMP

- 3.1 MAX PROCESSING TEMP:
 180°C FOR 30-60 SEC; (200°C FOR 5-10 SEC.) - PBT
 230°C FOR 30-60 SEC; (260°C FOR 5-10 SEC.) - PA6T

PH 254 - XXX - XXX GX

Gender P=Pin Header F=Female Header	Plating Standard: G0 G0: Gold Flash G2: 1U" Gold G3: 3U" Gold G4: 5U" Gold G5: 10U" Gold G6: 15U" Gold SN: Tin
Pitch 0.80=080 1.00=100 1.27=127 2.00=200 2.54=254	Packing Style 1. Loose in Bag 2. Tape & Reel 3. Tube
No. of PINS 1 x 01 ~ 1 x 40 PINS 2 x 01 ~ 2 x 40 PINS 3 x 01 ~ 3 x 40 PINS	Insulator Material 1: PBT 2: PA6T 3: PA9T 4: LCP
Connector Type S= Straight R= Right Angle M= SMT	

PRODUCT TITLE:	2.54mm Straight Pin Header, Single & Dual Row, H: 2.0mm		
UNLESS OTHERWISE SPECIFIED TOLERANCES	SCALE: 1/1	UNIT: mm	PH254-XXX-SXXG0-19
	SIZE: A3	PAGE: 1 OF 1	RAV.A01
DECIMALS: X :±0.5 X.X :±0.3 X.XX :±0.2	ANGLES: X :±6° X.X :±3° X.XX :±2°	WAYCONN ELECTRONICS	