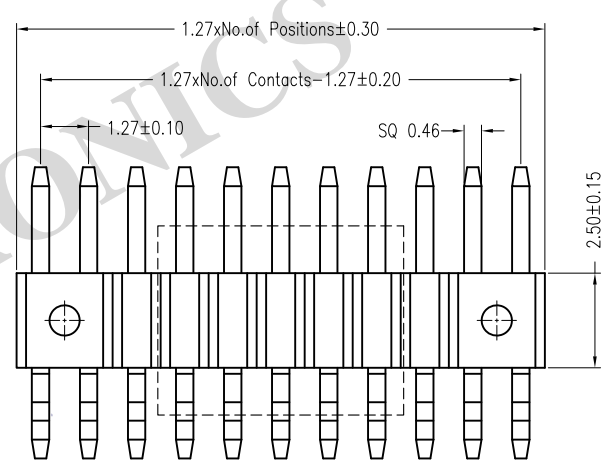
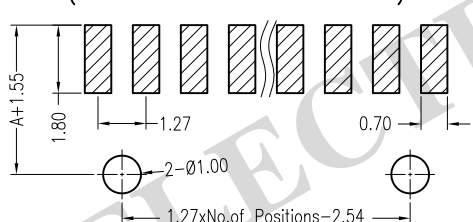


- 1. MATERIAL**
 1.1 INSULATOR: THERMOPLASTIC (UL 94V-0).
 1.2 CONTACT MATERIAL: COPPER ALLOY.
- 2. SPECIFICATION**
 2.1 CURRENT RATING: 1.0 Amp.
 2.2 INSULATION RESISTANCE: 500mΩ Min.
 2.3 DIELECTRIC WITHSTANDING: 300VAC.
 2.4 CONTACT RESISTENCE: 20mΩ Max.
 2.5 OPERATING TEMPERATURE: -40°C TO +105°C.
- 3. PLASTIC WITHSTAND TEMP**
 3.1 MAX PROCESSING TEMP:
 180°C FOR 30-60 SEC; (200°C FOR 5-10 SEC.) - PBT
 230°C FOR 30-60 SEC; (260°C FOR 5-10 SEC.) - PA6T

PH 127 - XXX - X X X GX

- Gender**
 P=Pin Header
 F=Female Header
- Pitch**
 0.80=080
 1.00=100
 1.27=127
 2.00=200
 2.54=254
- No. of PINS**
 1 x 01 ~ 1 x 40 PINS
 2 x 01 ~ 2 x 40 PINS
 3 x 01 ~ 3 x 40 PINS
- Connector Type**
 S=Straight
 R=Right Angle
 M=SMT
- Plating (Standard: G0)**
 G0: Gold Flash
 G2: 1U" Gold
 G3: 3U" Gold
 G4: 5U" Gold
 G5: 10U" Gold
 G6: 15U" Gold
 SN: Tin
- Packing Style**
 1. Loose in Bag
 2. Tape & Reel
 3. Tube
- Insulator Material**
 1: PBT
 2: PA6T
 3: PA9T
 4: LCP

Recommended P.C.B Layout (Top Side)
 (PCB BOARD TOLERANCE±0.05)



PRODUCT TITLE:		1.27mm SMT Pin Header, R/A, Single Row, W/ Post & Cap	
UNLESS OTHERWISE SPECIFIED TOLERANCES	SCALE: 1/1	UNIT: mm	PH127-1XX-MXXG0-19
	SIZE: A3	PAGE: 1 OF 1	
DECIMALS:	ANGLES:	WAYCONN ELECTRONICS	
X : ±0.5	X : ±6°		
X.X : ±0.3	X.X : ±3°		
X.XX : ±0.2	X.XX : ±2°		