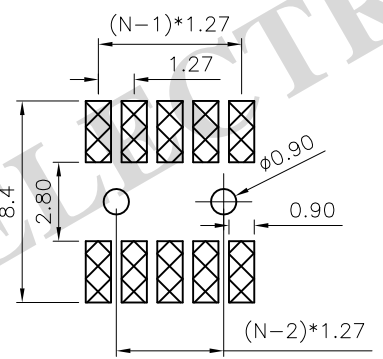
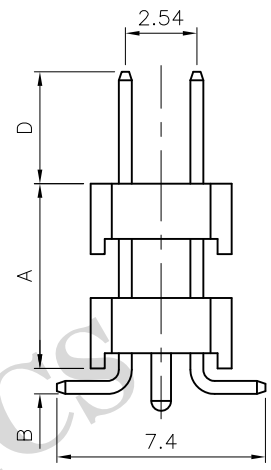


N: HALF OF CONTACTS



(TOLERANCE=±0.05)  
RECOMMEND PCB LAYOUT



1. MATERIAL
  - 1.1 INSULATOR: THERMOPLASTIC (UL 94V-0).
  - 1.2 CONTACT MATERIAL: COPPER ALLOY.
2. SPECIFICATION
  - 2.1 CURRENT RATING: 1.0 Amp.
  - 2.2 INSULATION RESISTANCE: 500mΩ Min.
  - 2.3 DIELECTRIC WITHSTANDING: 300VAC.
  - 2.4 CONTACT RESISTENCE: 20mΩ Max.
  - 2.5 OPERATING TEMPERATURE: -40°C TO +105°C.
3. PLASTIC WITHSTAND TEMP
  - 3.1 MAX PROCESSING TEMP:
    - 180°C FOR 30-60 SEC; (200°C FOR 5-10 SEC.) - PBT
    - 230°C FOR 30-60 SEC; (260°C FOR 5-10 SEC.) - PA6T

**PH 125 - XXX - XXX GX**

<b>Gender</b> P=Pin Header F=Female Header	<b>Plating</b> Standard: G0 G0: Gold Flash G2: 1U" Gold G3: 3U" Gold G4: 5U" Gold G5: 10U" Gold G6: 15U" Gold SN: Tin
<b>Pitch</b> 1.27x2.54=125 1.00=100 1.27=127 2.00=200 2.54=254	<b>Packing Style</b> 1. Loose in Bag 2. Tape & Reel 3. Tube
<b>No. of PINS</b> 1 x 01 ~ 1 x 40 PINS 2 x 01 ~ 2 x 40 PINS 3 x 01 ~ 3 x 40 PINS	<b>Insulator Material</b> 1: PBT 2: PA6T 3: PA9T 4: LCP
<b>Connector Type</b> S=Straight R=Right Angle M=SMT	

PRODUCT TITLE:		1.27mm x 2.54mm Elevated Pin Header, SMT, Dual Row	
UNLESS OTHERWISE SPECIFIED TOLERANCES	SCALE: 1/1	UNIT: mm	PH125-2XX-MXXG0-16
	SIZE: A3	PAGE: 1 OF 1	Optional Locating Post
DECIMALS:	ANGLES:	<b>WAYCONN ELECTRONICS</b>	
X : ±0.5	X : ±6°		
X.X : ±0.3	X.X : ±3°		
X.XX : ±0.2	X.XX : ±2°		