

1. MATERIAL

- 1.1 INSULATOR: THERMOPLASTIC (UL 94V-0).
- 1.2 CONTACT MATERIAL: COPPER ALLOY.

2. SPECIFICATION

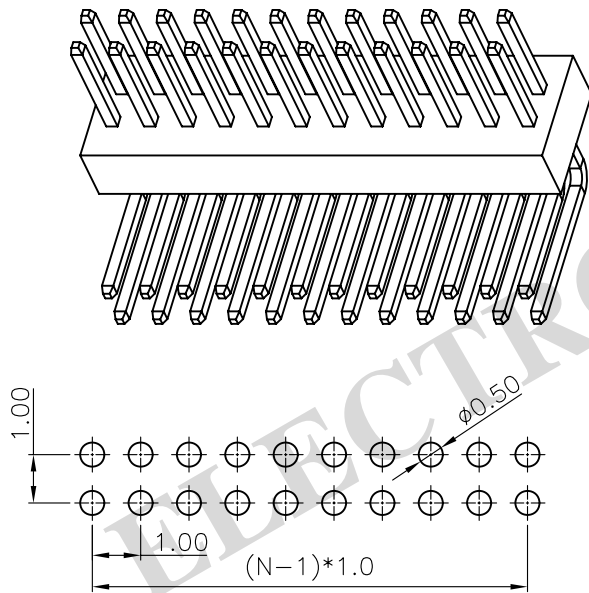
- 2.1 CURRENT RATING: 1.0 Amp.
- 2.2 INSULATION RESISTANCE: 500mΩ Min.
- 2.3 DIELECTRIC WITHSTANDING: 600VAC.
- 2.4 CONTACT RESISTENCE: 20mΩ Max.
- 2.5 OPERATING TEMPERATURE: -40°C TO +105°C.

3.1 MAX PROCESSING TEMP:

- 180°C FOR 30-60 SEC; (200°C FOR 5-10 SEC.) - PBT
- 230°C FOR 30-60 SEC; (260°C FOR 5-10 SEC.) - PA6T

PH 100 - XXX - XXX GX

<u>Gender</u> P=Pin Header F=Female Header	<u>Plating (Standard: G0)</u> G0: Gold Flash G2: 1U" Gold G3: 3U" Gold G4: 5U" Gold G5: 10U" Gold G6: 15U" Gold SN: Tin
<u>Pitch</u> 0.80=080 1.00=100 1.27=127 2.00=200 2.54=254	<u>Packing Style</u> 1. Loose in Bag 2. Tape & Reel 3. Tube
<u>No. of PINS</u> 1 x 01 ~ 1 x 40 PINS 2 x 01 ~ 2 x 40 PINS 3 x 01 ~ 3 x 40 PINS	<u>Insulator Material</u> 1: PBT 2: PA6T 3: PA9T 4: LCP
<u>Connector Type</u> S=Straight R=Right Angle M=SMT	



RECOMMEND PCB LAYOUT(TOLERANCE=±0.05)

PRODUCT TITLE:		1.00mm Pin Header, Thru-Hole, R/A, Dual Row	
UNLESS OTHERWISE SPECIFIED TOLERANCES	SCALE: 1/1	UNIT: mm	PH100-2XX-RXXG0-11
	SIZE: A3	PAGE: 1 OF 1	
DECIMALS:	ANGLES:	WAYCONN ELECTRONICS	
X : ±0.5	X : ±6°		
X.X : ±0.3	X.X : ±3°		
X.XX : ±0.2	X.XX : ±2°		