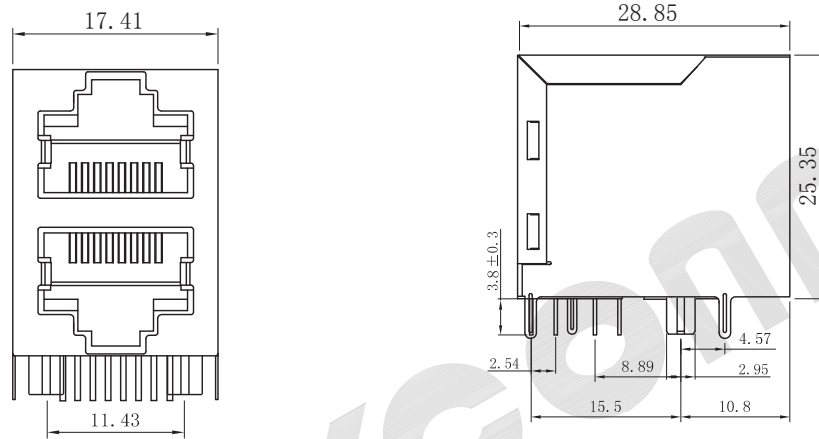


# Mechanical

REV.	DESCRIPTION	DRAWN	CHECKED	APPROVED
A	NEW RELEASE		~	



### Material:

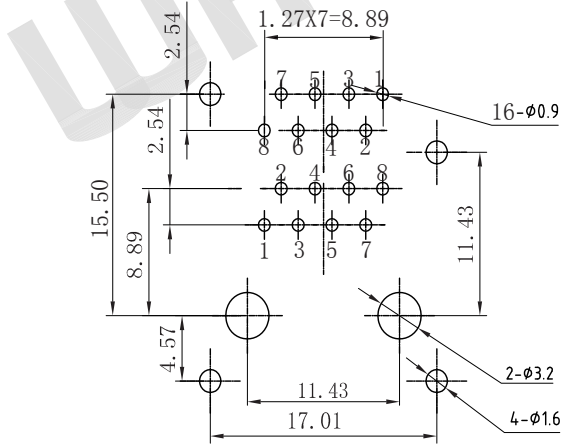
Insulator Material: PBT+30%GF(Glass Filled), UL94V-0, Black  
 Shield: 0.20mm Thickness Copper Alloy, Nickel Plated  
 Contact Material: Phosphor Bronze 0.35mm  
 Gold Plating: Selective Gold Plating Over Nickel: 3u", 6u", 15u", 30u"

### Mechanical:

Durability: 750 Cycles Min  
 Matting Force: 22N Max

### Environmental:

Storage Temperature : -40°C to +85°C  
 Operation Temperature: -40°C to +85°C



MJT59 - B4 83 X X X X X

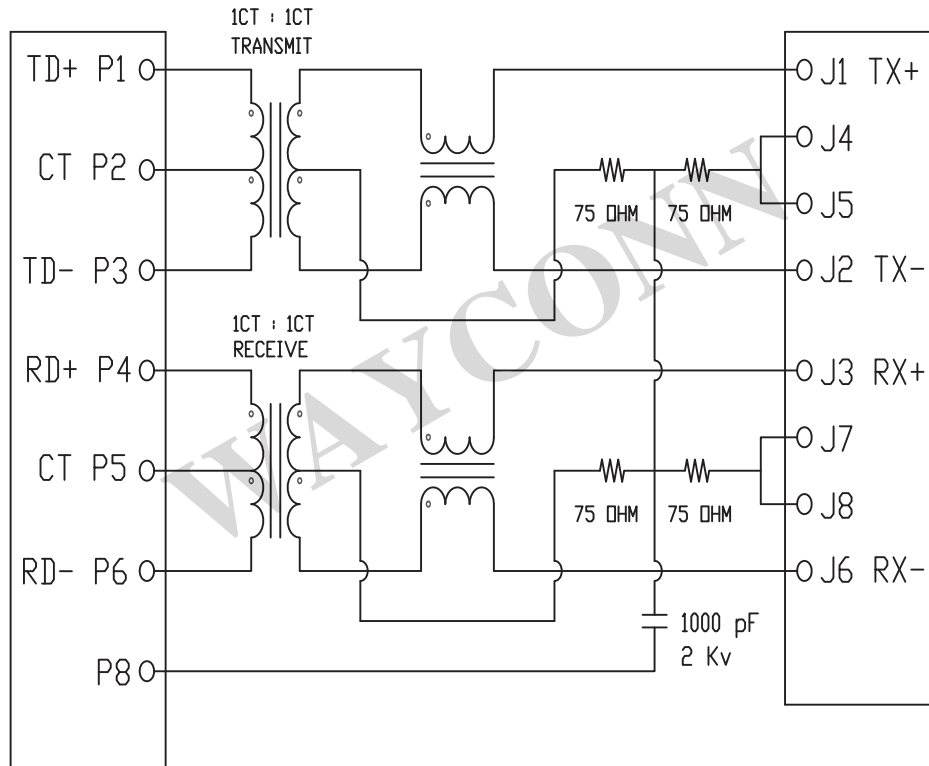
Shield	No. of Ports	LED Color	Insulator Material	Gold Plating
0 - w/o Shield	1 - 2x1	0 - w/o LED	1 - PBT	1 - G/Fμ"
1 - Shield w/o EMI	2 - 2x2	1 - Y/G	2 - PA66	2 - 3μ"
2 - Shield w/ EMI	4 - 2x4	2 - G/Y	3 - PA46	3 - 6μ"
3 - Half Shield	5 - 2x5	3 - G/G		4 - 15μ"
	6 - 2x6	4 - Y/Y		5 - 30μ"
	8 - 2x8	5 - Bi-Color		6 - 50μ"
		5 - Single LED		

GENERAL TOLERANCE .X ±0.30 .XX ±0.20 .XXX ±0.13	PROJECTION		TITLE	Stacked 2X1 RJ45 with transformer, 10/100 BaseT, Shielded w/o LED
	UNITS	mm	SHEET SIZE	A4
	SHEET SIZE	A4	SERIES	MJT59 SERIES
DRAWING TYPE	CUSTOMER			
SCALE	1:1	SHEET	1 OF 2	
DRAWING NO.	MJT59 - B483XXXXX			

## WAYCONN CO.,LTD

# Schematics

REV.	DESCRIPTION	DRAWN	CHECKED	APPROVED
A	NEW RELEASE			



## ELECTRICAL SPECIFICATIONS@25°C

- Turn Ratio 1CT:1CT+/-3%
- Hi-Pot 1500v AC 6S 1mA
- OCL 350uH MIN @ 100KHZ 100mV 8mA DC
- Insertion Loss (dB max):  
1 ~ 100MHZ: -1.0
- Return Loss (dB min):  
1 ~ 30MHZ: -16.0 30 ~ 60MHZ: -14.0  
60 ~ 80MHZ: -10.0
- Crosstalk (dB TYP)  
1 ~ 30MHZ: -40.0 30 ~ 60MHZ: -35.0  
60-80MHZ: -30.0
- CMR(dB TYP)  
1M ~ 100MHZ: -35.0



GENERAL TOLERANCE .X ±0.30 .XX ±0.20 .XXX ±0.13	PROJECTION		TITLE	Stacked 2X1 RJ45 with transformer,
	UNITS	mm	10/100 BaseT, Shielded w/o LED	
	SHEET SIZE	A4	SERIES	MJT59 SERIES

DRAWING TYPE	CUSTOMER		
SCALE	1:1	SHEET	2 OF 2
DRAWING NO.	MJT59 - B483XXXXX		

# WAYCONN CO.,LTD