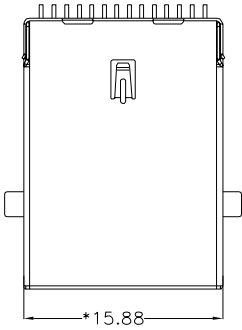
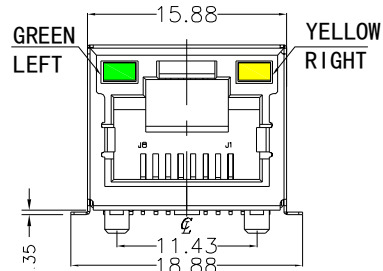


# Mechanical

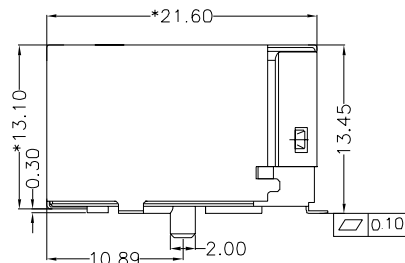
REV.	DESCRIPTION	DRAWN	CHECKED	APPROVED
A	NEW RELEASE		~	



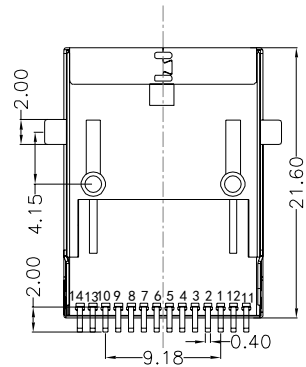
TOP VIEW



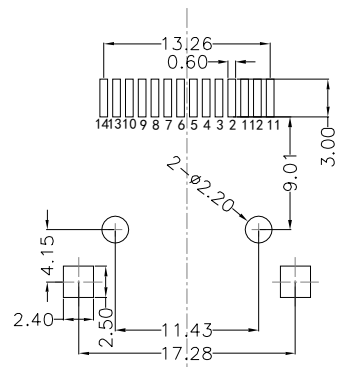
FRONT VIEW



RIGHT SIDE VIEW



BOTTOM VIEW



RECOMMENDED PCB LAYOUT VIEWED FROM COMPONENT SIDE

### MATERIAL:

HOUSING : LCP,UL94V-0,BLACK.  
 TERMINALS BRACKET: LCP,UL94V-0,BLACK.  
 SHIELD: C2680,T=0.20MM,NICKEL PLATING ON ALL AREA.  
 TERMINAL: PHOSPHOR BRONZE C5191,T=0.35MM,  
 6U" GOLD PLATING ON CONTACT AREA.

### MECHANICAL:

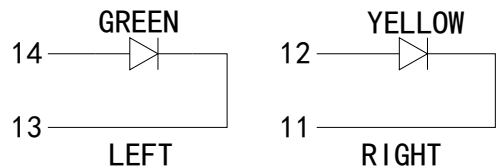
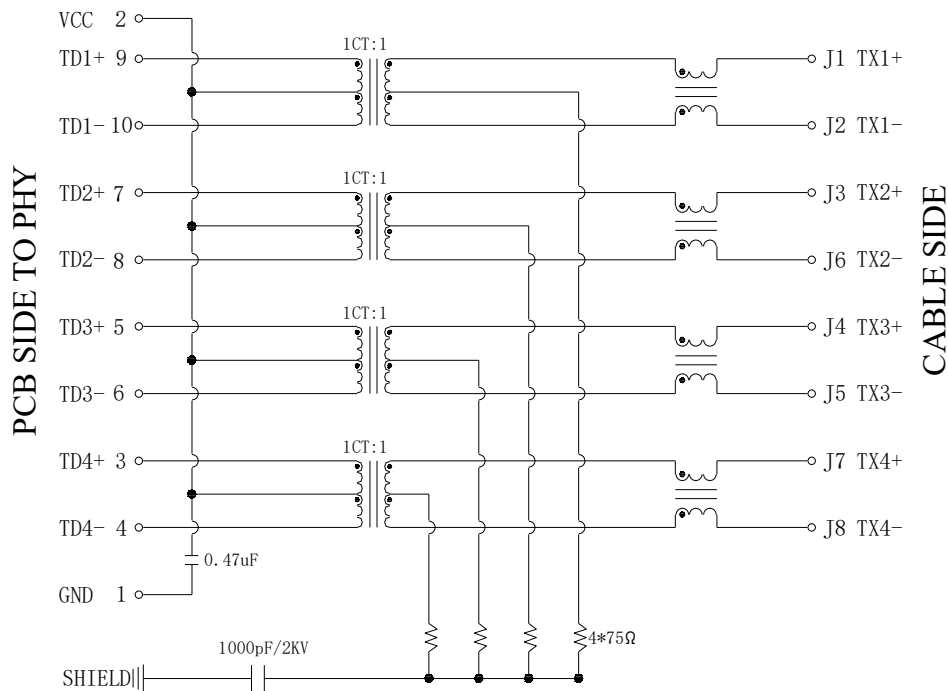
DURABILITY : 750 CYCLES MIN.  
 MATING FORCE : 23N MAX.  
 OPERATING TEMPERATURE: -40°C~+85°C.  
 STORAGE TEMPERATURE: -40°C~+85°C.  
 ALL CRITICAL DIMENSIONS WITH "\*"

MJT36 - G8 380 X X X X X X

Shield	Mounting	LED Color	Plastic Peg	Insulator	Gold Plating
0 - w/o Shield	1 - SMT	0 - w/o LED	1 - With	1 - PBT	1 - Fμ"
1 - Shield w/o EMI	2 - DIP	1 - Y/G	2 - Without	2 - PA66	2 - 3μ"
2 - Shield w/ EMI		2 - G/Y		3 - PA46	3 - 6μ"
3 - Half Shield		3 - G/G		4 - LCP	4 - 15μ"
		4 - Y/Y			5 - 30μ"
		5 - Special			6 - 50μ"

GENERAL TOLERANCE	ANGLE TOLERANCE	PROJECTION	TITLE
X. ±0.35	X. ±3.0°	mm	1000BASE-T, SMT, TAB-UP, SHIELDED LED: G/Y
.X ±0.30	.X ±2.0°		
.XX ±0.25	.XX ±1.5°	SHEET SIZE	PART NO. MJT36 - G83801121XX
.XXX ±0.10	.XX ±1.0°	A4	
DRAWING TYPE	CUSTOMER	<h1>WAYCONN CO.,LTD</h1>	
SCALE	1:1 SHEET 1 OF 2		
SERIES	MJT36 SERIES		

# Schematics



## Electrical:

- Turn ratio: 9~10: J1~J2=1CT:1CT(±2%).  
7~8: J3~J6=1CT:1CT(±2%).  
5~6: J4~J5=1CT:1CT(±2%).  
3~4: J7~J8=1CT:1CT(±2%).
- OCL: 350uH Min. at 100KHz 100mV 8mA DC.
- Insertion Loss: -1.0 dB Max 1~100MHz.
- Return loss: -18dB Min 1~30MHz;  
-14dB Min 30~60MHz.  
-12dB Min 60~80MHz.  
-10dB Min 80~100MHz.
- Cross talk: -40dB Min 1~30MHz;  
-35dB Min 30~60MHz;  
-30dB Min 60~100MHz;
- CMR: -30dB Min 1~100MHz;
- Hi-Pot: 2250V DC 6S 1mA PRI TO SEC

## LED Specification

Standard LED Color	LED Wavelength	Foward(A)	Foward(V)
Green	568nm	20mA	1.85-2.45V
Yellow	585nm	20mA	1.7-2.2V

GENERAL TOLERANCE		ANGLE TOLERANCE		PROJECTION	TITLE	1000BASE-T, SMT, TAB-UP, SHIELDED LED: G/Y	
X.	±0.35	X.	±3.0°	mm			
.X	±0.30	.X	±2.0°				
.XX	±0.25	.XX	±1.5°				
.XXX	±0.10	.XX	±1.0°				
DRAWING TYPE		CUSTOMER		<b>WAYCONN CO.,LTD</b>			
SCALE		1:1	SHEET 2 OF 2				
SERIES		MJT36 SERIES					