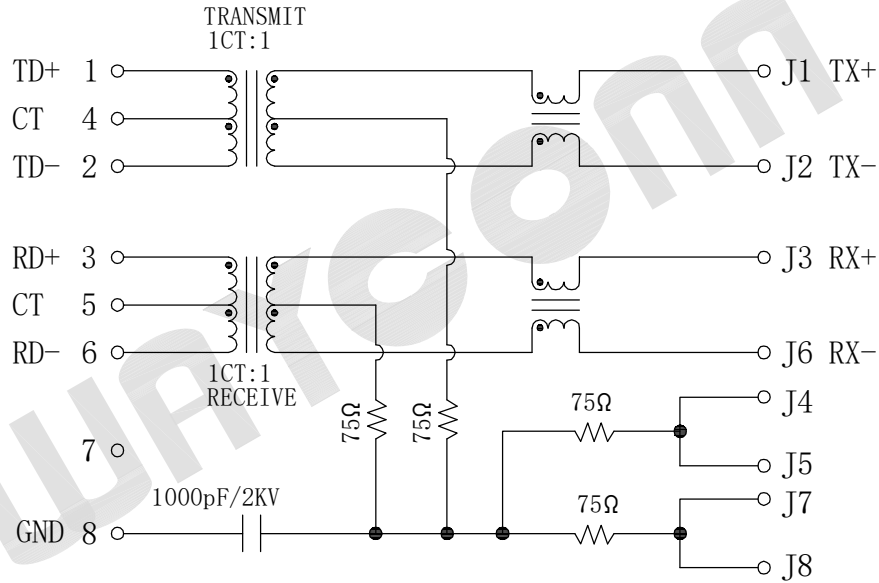


Schematics

| REV. | DESCRIPTION | DRAWN | CHECKED | APPROVED |
|------|-------------|-------|---------|----------|
| A | NEW RELEASE | | ~ | |



ELECTRICAL SPECIFICATIONS AT 25°C

| Turns Ratio (±2%) | | Insertion Loss (dB max) | Return Loss (dB max) | | | | Crosstalk (dB TYP) | | | Common Mode Rejection (dB TYP) | Hipot (vrms) |
|-------------------|---------|-------------------------|----------------------|-----------|-----------|------------|--------------------|-----------|------------|--------------------------------|--------------|
| TX | RX | | 1~10 MHz | 10~30 MHz | 30~60 MHz | 60~100 MHz | 1~30 MHz | 30~60 MHz | 60~100 MHz | | |
| 1CT:1CT | 1CT:1CT | -1.0 | -20 | -16 | -12 | -10 | -40 | -35 | -30 | -30 | 1500 |

1. OCL: 350uH minimum with 8mA current;

| GENERAL TOLERANCE | | ANGLE TOLERANCE | | PROJECTION | TITLE |
|-------------------|-------|-----------------|-------|------------|---|
| X. | ±0.35 | X. | ±3.0° | | 100BASE-T, TOP ENTRY, 180°, LOW PROFILE, SHIELD |
| .X | ±0.30 | .X | ±2.0° | mm | |
| .XX | ±0.25 | .XX | ±1.5° | | |
| .XXX | ±0.10 | .XX | ±1.0° | | |
| DRAWING TYPE | | CUSTOMER | | SHEET SIZE | PART NO. |
| SCALE | | 1:1 | SHEET | A4 | MJT22 - M40021101XX |
| SERIES | | MJT22 SERIES | | | |

WAYCONN CO.,LTD