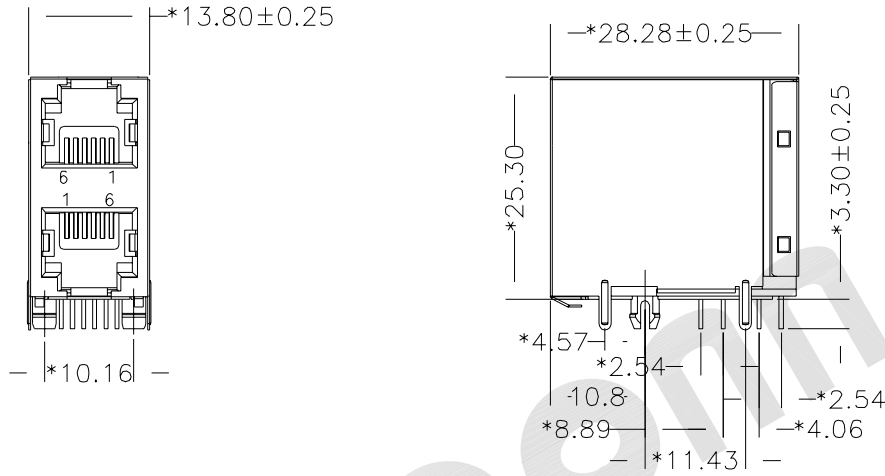
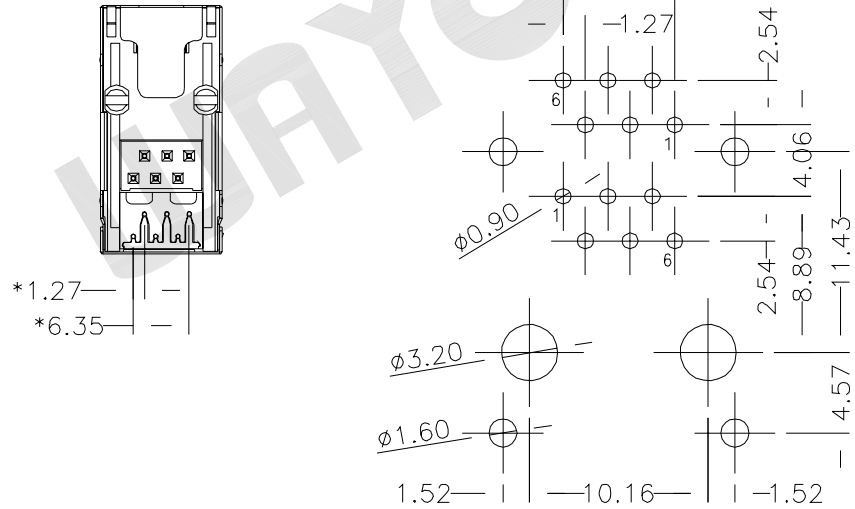


REV.	DESCRIPTION	DRAWN	CHECKED	APPROVED
A	NEW RELEASE	JLZ 03/24/16'		



PN#: MJID-6611XXX
DESC: 2X1 Stacked RJ11 Connector Jack 6P6C w/ Shield
Material:
 Housing Material: PBT, PA66, PA46, High Temp Nylon UL94V-0, Black and Grey Color
 Contact Material: Phosphor Bronze 0.46mm, Round PIN
 Shield Material: Copper, Nickel Plated
 Plating: Gold Plating over Nickel
Electrical:
 Voltage Rating: 125 V AC RMS
 Current Rating: 1.5 Amp
 Contact Resistance: 30mΩ Max.
 Insulation Resistance: 500MΩ Min. @ 500 VDC
 Dielectric Withstanding Resistance: 1000 VAC RMS 60Hz, 1 Min.

Mechanical:
 Durability : 750 Cycles Min.
 PCB Retention Force: 10 LBS Min.
Environmental:
 Storage Temperature : -40°C to +85°C
 Operation Temperature: -40°C to +85°C



PC BOARD COMPONENT SIDE SHOWN

MJID - 6X X X X X X

Positions Loaded	No. of Ports	Insulator Material	Gold Plating
2,4,6 Shield	1 - 2x1	1 - PBT	1 - G/Fμ"
0 - w/o Shield	2 - 2x2	2 - PA66	2 - 3μ"
1 - Shield w/o EMI	3 - 2x3	3 - PA46	3 - 6μ"
2 - Shield w/ EMI	4 - 2x4	0 - w/o Back peg	4 - 15μ"
	5 - 2x5	1 - 1 Back peg	5 - 30μ"
	6 - 2x6	2 - 2 Back peg	6 - 50μ"
	8 - 2x8	3 - 3 Back peg	

GENERAL TOLERANCE		ANGLE TOLERANCE		PROJECTION	TITLE
X.	±0.60	X.	±5°		2X1 Stacked RJ11 Connector
.X	±0.38	.X	±3°	mm	Jack 6P6C w/ Shield
.XX	±0.25	.XX	±2°		SHEET SIZE A4 SERIES MJID SERIES
DRAWING TYPE CUSTOMER				WAYCONN CO.,LTD	
SCALE		1:1 SHEET 1 OF 1			
DRAWING NO.		MJID - 6XXXXXX			