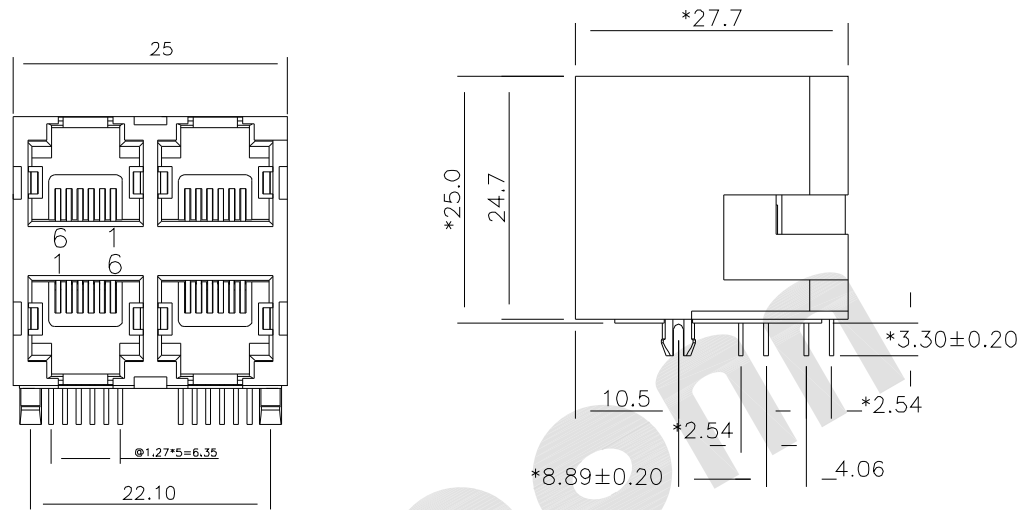


REV.	DESCRIPTION	DRAWN	CHECKED	APPROVED
A	NEW RELEASE	JLZ 03/24/16'		



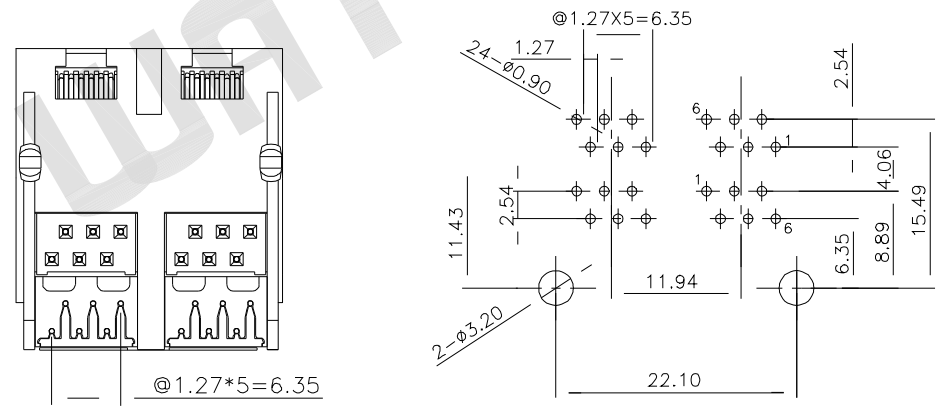
**PN#:** MJID-6602XXX  
**DESC:** RJ11 Stacked 2X2 Modular Jack Conn, 6P6C, Unshielded

**Material:**  
 Housing Material: PBT, PA66, PA46, High Temp Nylon UL94V-0, Black and Grey Color  
 Contact Material: Phosphor Bronze 0.46mm, Round PIN  
 Plating: Gold Plating over Nickel

**Electrical:**  
 Voltage Rating: 125 V AC RMS  
 Current Rating: 1.5 Amp  
 Contact Resistance: 30mΩ Max.  
 Insulation Resistance: 500MΩ Min. @ 500 VDC  
 Dielectric Withstanding Resistance: 1000 VAC RMS 60Hz, 1 Min.

**Mechanical:**  
 Durability : 750 Cycles Min.  
 PCB Retention Force: 10 LBS Min.

**Environmental:**  
 Storage Temperature : -40°C to +85°C  
 Operation Temperature: -40°C to +85°C



MJID - 6X X X X X X

Positions Loaded	No. of Ports	Insulator Material	Gold Plating
2,4,6 Shield			1 - G/Fμ"
0 - w/o Shield	1 - 2x1	Back Peg 1 - PBT	2 - 3μ"
1 - Shield w/o EMI	2 - 2x2	0 - w/o Back peg	3 - 6μ"
2 - Shield w/ EMI	3 - 2x3	1 - 1 Back peg	4 - 15μ"
	4 - 2x4	2 - 2 Back peg	5 - 30μ"
	5 - 2x5	3 - 3 Back peg	6 - 50μ"
	6 - 2x6		
	8 - 2x8		

PC BOARD LAYOUT T=1.60MM  
 COMPONENT SIDE SHOWN

GENERAL TOLERANCE		ANGLE TOLERANCE		PROJECTION	TITLE
X.	±0.60	X.	±5°		RJ11 Stacked 2X2 Modular Jack Conn,
.X	±0.38	.X	±3°	mm	6P6C, Unshielded
.XX	±0.25	.XX	±2°	SHEET SIZE	A4
DRAWING TYPE		CUSTOMER		SERIES	MJIC SERIES
SCALE	1:1	SHEET	1 OF 1	<b>WAYCONN CO.,LTD</b>	
DRAWING NO.	MJID - 6XXXXXX				