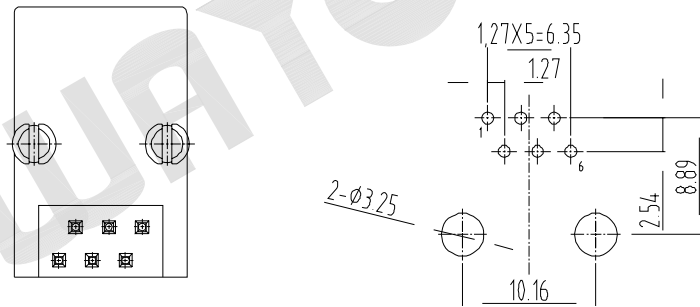
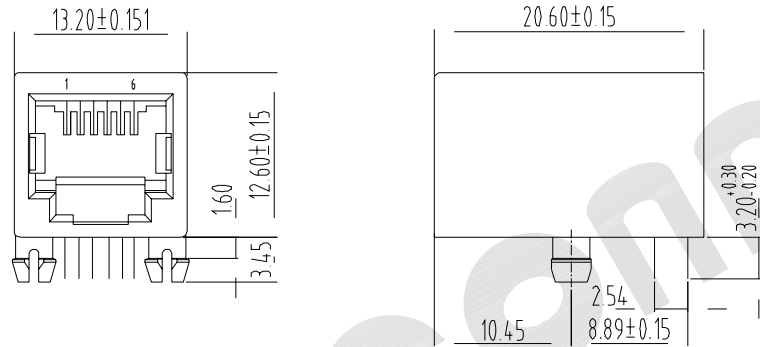


REV.	DESCRIPTION	DRAWN	CHECKED	APPROVED
A	NEW RELEASE	JLZ 03/24/16'	~	



PCB LAYOUT/TOP VIEW

Material:

Housing Material: PBT, PA66, PA46, High Temp Nylon UL94V-0, Black and Grey Color

Contact Material: Phosphor Bronze 0.46mm, Round PIN

Plating: Gold Plating over Nickel

Electrical:

Voltage Rating: 125 V AC RMS

Current Rating: 1.5 Amp

Contact Resistance: 30mΩ Max.

Insulation Resistance: 500MΩ Min. @ 500 VDC

Dielectric Withstanding Resistance: 1000 VAC RMS 60Hz, 1 Min.

Mechanical:

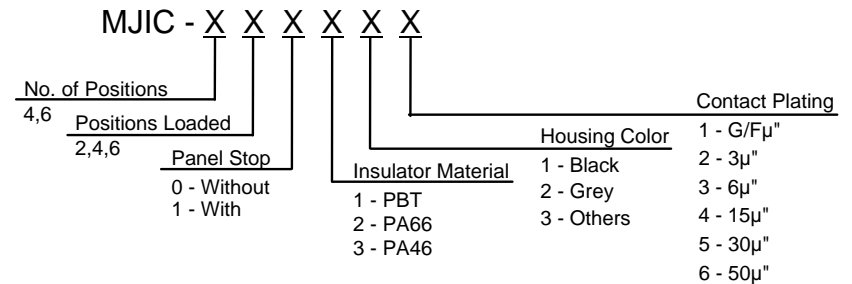
Durability : 750 Cycles Min.

PCB Retention Force: 10 LBS Min.

Environmental:

Storage Temperature : -40°C to +85°C

Operation Temperature: -40°C to +85°C



GENERAL TOLERANCE		ANGLE TOLERANCE		PROJECTION	UNIT	TITLE	
X.	±0.60	X.	±5°		mm	Side Entry, Unshielded, RJ11 RJ12	
.X	±0.38	.X	±3°			Positions Loaded 6/6, With Panel Stop	
.XX	±0.25	.XX	±2°			SHEET SIZE	A4
						SERIES	MJIC SERIES
DRAWING TYPE		CUSTOMER		WAYCONN CO.,LTD			
SCALE	1:1	SHEET	1 OF 1				
DRAWING NO.	MJIC - XXXXXX						