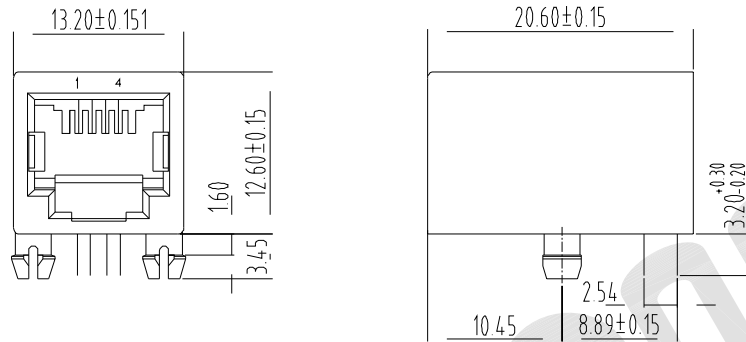


REV.	DESCRIPTION	DRAWN	CHECKED	APPROVED
A	NEW RELEASE	JLZ 03/24/16'	~	



**Material:**

Housing Material: PBT, PA66, PA46, High Temp Nylon UL94V-0, Black and Grey Color

Contact Material: Phosphor Bronze 0.46mm, Round PIN

Plating: Gold Plating over Nickel

**Electrical:**

Voltage Rating: 125 V AC RMS

Current Rating: 1.5 Amp

Contact Resistance: 30mΩ Max.

Insulation Resistance: 500MΩ Min. @ 500 VDC

Dielectric Withstanding Resistance: 1000 VAC RMS 60Hz, 1 Min.

**Mechanical:**

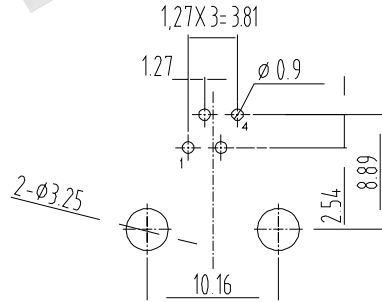
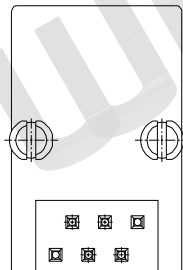
Durability : 750 Cycles Min.

PCB Retention Force: 10 LBS Min.

**Environmental:**

Storage Temperature : -40°C to +85°C

Operation Temperature: -40°C to +85°C



PCB LAYOUT/TOP VIEW

MJIC - X X X X X X

No. of Positions	Panel Stop	Insulator Material	Housing Color	Contact Plating
4,6	0 - Without 1 - With	1 - PBT 2 - PA66 3 - PA46	1 - Black 2 - Grey 3 - Others	1 - G/Fμ" 2 - 3μ" 3 - 6μ" 4 - 15μ" 5 - 30μ" 6 - 50μ"
2,4,6				

GENERAL TOLERANCE		ANGLE TOLERANCE		PROJECTION	TITLE
X.	±0.60	X.	±5°		Side Entry, Unshielded
.X	±0.38	.X	±3°	mm	Positions Loaded 6/4
.XX	±0.25	.XX	±2°	A4	SERIES MJIC SERIES
DRAWING TYPE		CUSTOMER		<b>WAYCONN CO.,LTD</b>	
SCALE		1:1	SHEET 1 OF 1		
DRAWING NO.		MJIC - XXXXXX			