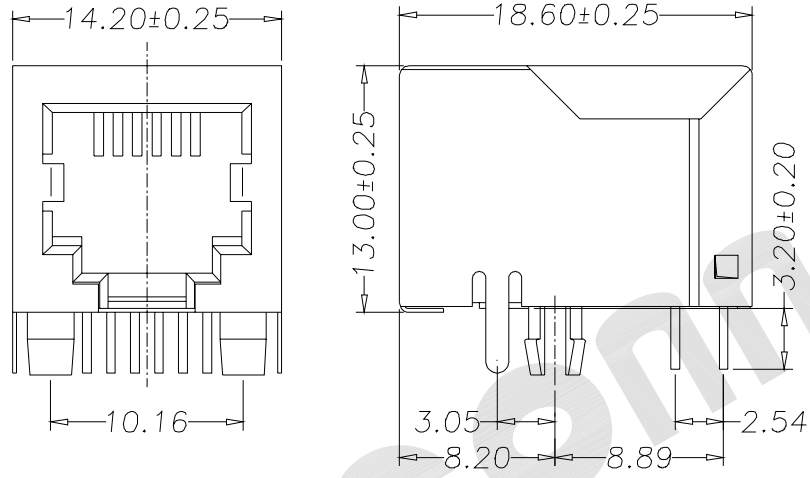


REV.	DESCRIPTION	DRAWN	CHECKED	APPROVED
A	NEW RELEASE	JLZ 03/24/16'	~	

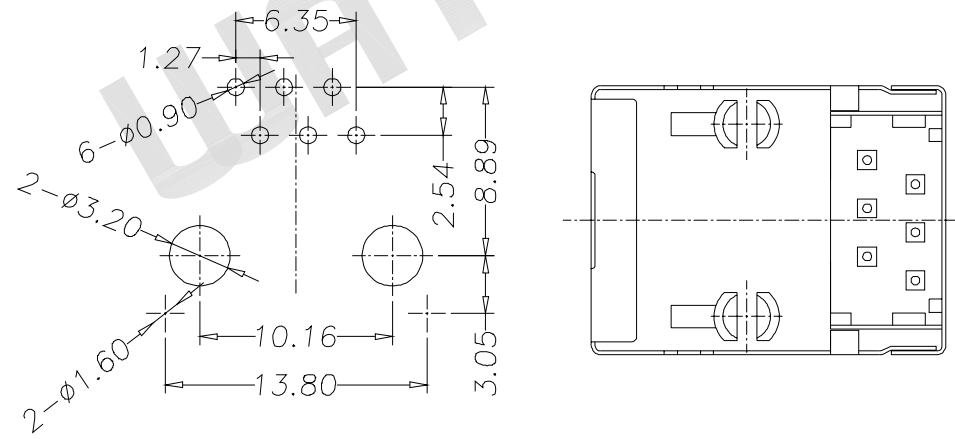


Material:
Housing Material: PBT, PA66, PA46, High Temp Nylon UL94V-0, Black and Grey Color
Contact Material: Phosphor Bronze 0.46mm, Round PIN
Shield Material: Copper, Nickel Plated
Plating: Gold Plating over Nickel

Electrical:
Voltage Rating: 125 V AC RMS
Current Rating: 1.5 Amp
Contact Resistance: 30mΩ Max.
Insulation Resistance: 500MΩ Min. @ 500 VDC
Dielectric Withstanding Resistance: 1000 VAC RMS 60Hz, 1 Min.

Mechanical:
Durability : 750 Cycles Min.
PCB Retention Force: 10 LBS Min.

Environmental:
Storage Temperature : -40°C to +85°C
Operation Temperature: -40°C to +85°C



MJFC - X X X X X X

No. of Positions	Positions Loaded	Shield	Insulator Material	Housing Color	Gold Plating
4,6	2,4,6	0 - w/o Shield 1 - w/ Shield	1 - PBT 2 - PA66 3 - PA46	1 - Black 2 - Grey 3 - Others	1 - G/Fμ" 2 - 3μ" 3 - 6μ" 4 - 15μ" 5 - 30μ" 6 - 50μ"

PC Board Layout
Component Side Shown

GENERAL TOLERANCE	ANGLE TOLERANCE	PROJECTION	TITLE	Side Entry, Shielded RJ11,RJ12
X. ±0.60	X. ±5°	UNITS	mm	PCB Jack 6/6
.X ±0.38	.X ±3°	SHEET SIZE	A4	SERIES MJFC SERIES
.XX ±0.25	.XX ±2°	WAYCONN CO.,LTD		
DRAWING TYPE	CUSTOMER			
SCALE	1:1 SHEET 1 OF 1			
DRAWING NO.	MJFC - XXXXXX			