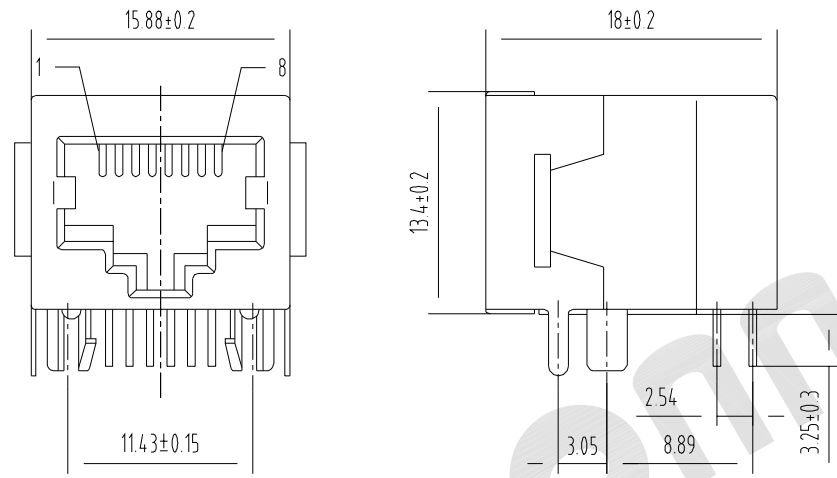


REV.	DESCRIPTION	DRAWN	CHECKED	APPROVED
A	NEW RELEASE	JLZ 03/24/16'		



Datasheet MJFA-1082XXXX Covers Main Physical & Mechanical Properties of **R/A Half-Shielded RJ45 PCB Jack**

Material:

Housing Material: PBT, PA66, PA46, High Temp Nylon UL94V-0, Black and Grey Color

Shielding Material: 0.20mm thickness copper alloy, plated with nickel

Contact Material: Phosphor Bronze 0.46mm, Round PIN

Plating: Gold Plating over Nickel

Electrical:

Voltage Rating: 125 V AC RMS

Current Rating: 1.5 Amp

Contact Resistance: 30mΩ Max.

Insulation Resistance: 500MΩ Min. @ 500 VDC

Dielectric Withstanding Resistance: 1000 VAC RMS 60Hz, 1 Min.

Mechanical:

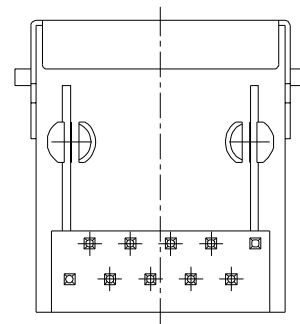
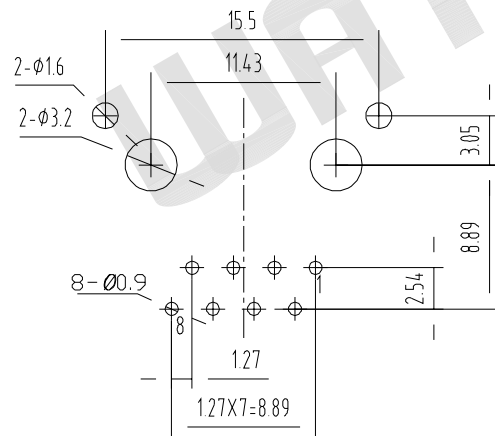
Durability : 750 Cycles Min.

PCB Retention Force: 10 LBS Min.

Environmental:

Storage Temperature : -40°C to +85°C

Operation Temperature: -40°C to +85°C



MJFA - 108 X X X X X

Shield					Gold plating
0 - w/o Shield					1 - G/Fμ"
1 - w/ Shield	Peg			Housing Color	2 - 3μ"
2 - w/ Half Shield	0 - w/o peg		Insulator Material	1 - Black	3 - 6μ"
	1 - Front peg 3.05		1 - PBT	2 - Grey	4 - 15μ"
	2 - Front peg 3.68		2 - PA66	3 - Others	5 - 30μ"
	3 - Back peg 3.05		3 - PA46		6 - 50μ"

PC Board Layout
Component Side Shown

GENERAL TOLERANCE		ANGLE TOLERANCE		PROJECTION		TITLE	Half Shielded RJ45 PCB Jack
X.	±0.60	X.	±5°	UNITS	mm	Right Angle	
.X	±0.38	.X	±3°	SHEET SIZE	A4	SERIES	MJFA SERIES
.XX	±0.25	.XX	±2°	WAYCONN CO.,LTD			
DRAWING TYPE		CUSTOMER					
SCALE	1:1	SHEET	1 OF 1				
DRAWING NO.		MJFA - 108XXXXX					