

REV.	DESCRIPTION	DRAWN	CHECKED	APPROVED
A	NEW RELEASE	JLZ 03/24/16'	~	

Datasheet MJFA-10811XXX Covers Main Physical & Mechanical Properties of **R/A, RJ45 PCB Mount Conn, 10P8C, with Shield**

Material:

Housing Material: PBT, PA66, PA46, High Temp Nylon UL94V-0, Black and Grey Color

Shielding Material: 0.20mm thickness copper alloy, plated with nickel

Contact Material: Phosphor Bronze 0.46mm, Round PIN

Plating: Gold Plating over Nickel

Electrical:

Voltage Rating: 125 V AC RMS

Current Rating: 1.5 Amp

Contact Resistance: 30mΩ Max.

Insulation Resistance: 500MΩ Min. @ 500 VDC

Dielectric Withstanding Resistance: 1000 VAC RMS 60Hz, 1 Min.

Mechanical:

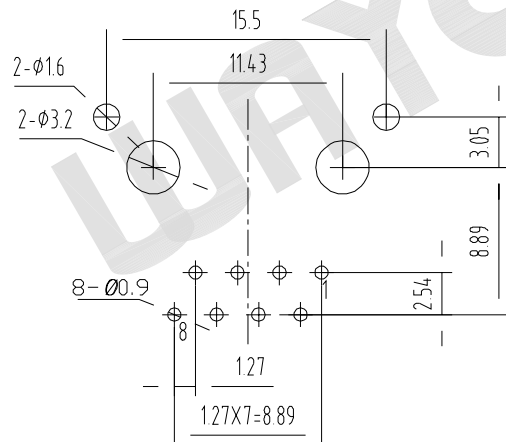
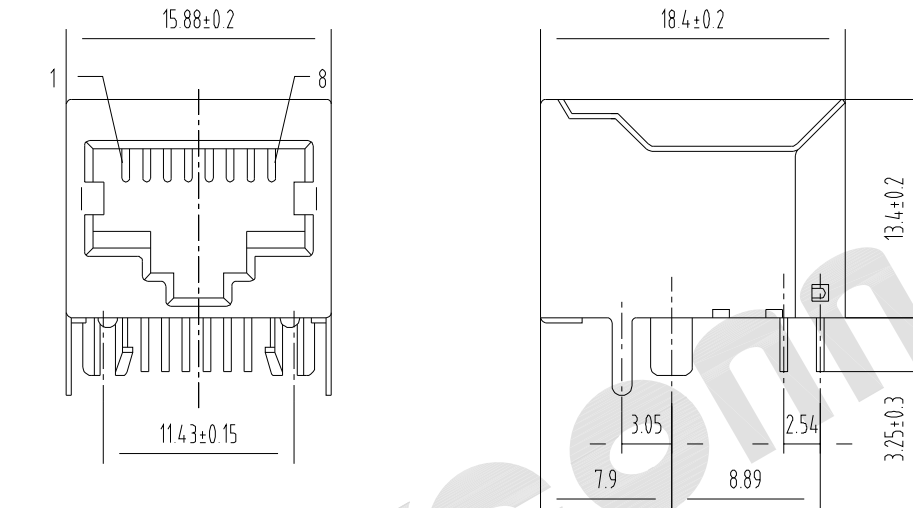
Durability : 750 Cycles Min.

PCB Retention Force: 10 LBS Min.

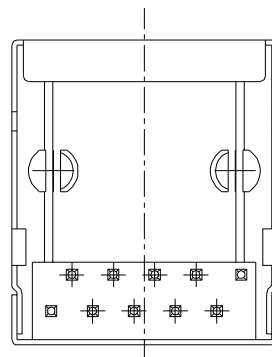
Environmental:

Storage Temperature : -40°C to +85°C

Operation Temperature: -40°C to +85°C



PC Board Layout
Component Side Shown



MJFA - 108 X X X X X

Shield								
0 - w/o Shield								
1 - w/ Shield								
	Peg							
	0 - w/o peg							
	1 - Front peg 3.05							
	2 - Front peg 3.68							
	3 - Back peg 3.05							
		Insulator Material						
		1 - PBT						
		2 - PA66						
		3 - PA46						
			Housing Color					
			1 - Black					
			2 - Grey					
			3 - Others					
								Gold plating
								1 - G/Fμ"
								2 - 3μ"
								3 - 6μ"
								4 - 15μ"
								5 - 30μ"
								6 - 50μ"

GENERAL TOLERANCE		ANGLE TOLERANCE		PROJECTION		TITLE	Shielded RJ45, PCB Mount	
X.	±0.60	X.	±5°	UNITS	mm	10P8C R/A		
.X	±0.38	.X	±3°	SHEET SIZE	A4	SERIES	MJFA SERIES	
.XX	±0.25	.XX	±2°	WAYCONN CO.,LTD				
DRAWING TYPE		CUSTOMER						
SCALE	1:1	SHEET	1 OF 1					
DRAWING NO.	MJFA - 108XXXXX							