

REV.	DESCRIPTION	DRAWN	CHECKED	APPROVED
A	NEW RELEASE	JLZ 03/24/16'	~	

Datasheet MJFA-10800XXX Covers Main Physical & Mechanical Properties of **Unshielded R/A Low Profile RJ45 Modular Jack**

Material:

Housing Material: PBT, PA66, PA46, High Temp Nylon UL94V-0, Black and Grey Color

Contact Material: Phosphor Bronze 0.46mm, Round PIN

Plating: Gold Plating over Nickel

Electrical:

Voltage Rating: 125 V AC RMS

Current Rating: 1.5 Amp

Contact Resistance: 30mΩ Max.

Insulation Resistance: 500MΩ Min. @ 500 VDC

Dielectric Withstanding Resistance: 1000 VAC RMS 60Hz, 1 Min.

Mechanical:

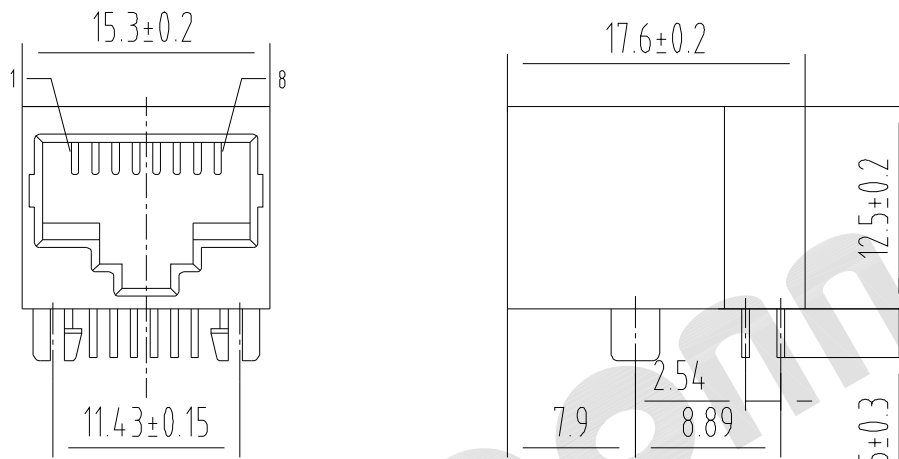
Durability : 750 Cycles Min.

PCB Retention Force: 10 LBS Min.

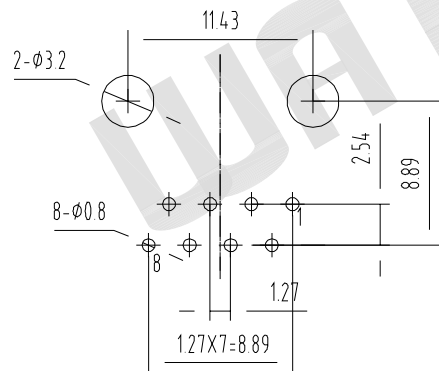
Environmental:

Storage Temperature : -40°C to +85°C

Operation Temperature: -40°C to +85°C

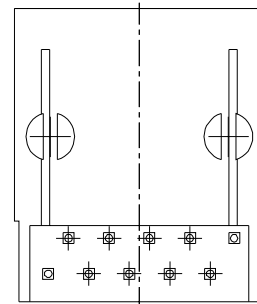


PCB LAYOUT



PC Board Layout

Component Side Shown



MJFA - 108 X X X X X

Shield					Gold plating
0 - w/o Shield					1 - G/Fμ"
1 - w/ Shield	Peg		Housing Color		2 - 3μ"
	0 - w/o peg		1 - Black		3 - 6μ"
	1 - Front peg 3.05	Insulator Material	2 - Grey		4 - 15μ"
	2 - Front peg 3.68	1 - PBT	3 - Others		5 - 30μ"
	3 - Back peg 3.05	2 - PA66			6 - 50μ"
		3 - PA46			

GENERAL TOLERANCE		ANGLE TOLERANCE		PROJECTION	TITLE
X.	±0.60	X.	±5°		Right Angle, Low Profile RJ45
.X	±0.38	.X	±3°	mm	10P8C, Yellow Housing, Unshielded
.XX	±0.25	.XX	±2°		
DRAWING TYPE		CUSTOMER		SHEET SIZE	SERIES
SCALE		1:1	SHEET	A4	MJFA SERIES
DRAWING NO.		MJFA - 108XXXXX			

WAYCONN CO.,LTD