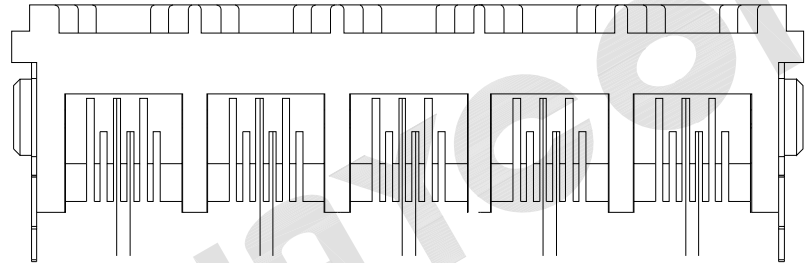
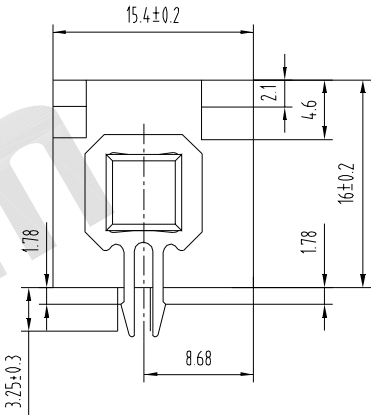
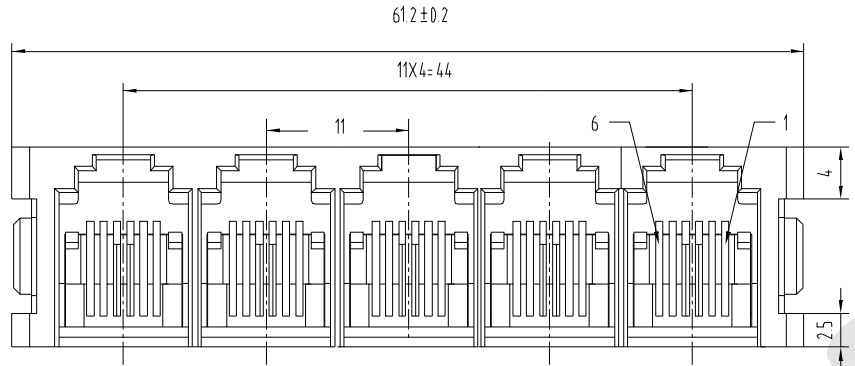


REV.	DESCRIPTION	DRAWN	CHECKED	APPROVED
A	NEW RELEASE	JLZ 03/24/16'	~	

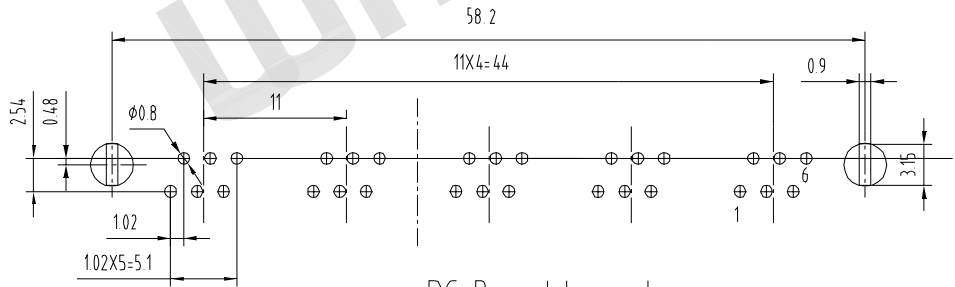


Material:
Housing Material: PBT, PA66, PA46, High Temp Nylon UL94V-0, Black and Grey Color
Contact Material: Phosphor Bronze 0.46mm, Round PIN
Plating: Gold Plating over Nickel

Electrical:
Voltage Rating: 125 V AC RMS
Current Rating: 1.5 Amp
Contact Resistance: 30mΩ Max.
Insulation Resistance: 500MΩ Min. @ 500 VDC
Dielectric Withstanding Resistance: 1000 VAC RMS 60Hz, 1 Min.

Mechanical:
Durability : 750 Cycles Min.
PCB Retention Force: 10 LBS Min.

Environmental:
Storage Temperature : -40°C to +85°C
Operation Temperature: -40°C to +85°C



PC Board Layout
Component Side Shown

MJEE - X X X X X X X

No. of Positions	Positions Loaded	Panel Stop	Insulator Material	Metal Pegs	Housing Color	Gold Plating
4,6,8	2,4,6,8	0 - w/o Panel Stop 1 - w/ Panel Stop	1 - PBT 2 - PA66 3 - PA46	0 - w/o Pegs 1 - w/ Pegs	1 - Black 2 - Grey 3 - Others	1 - G/Fμ" 2 - 3μ" 3 - 6μ" 4 - 15μ" 5 - 30μ" 6 - 50μ"

GENERAL TOLERANCE		ANGLE TOLERANCE		PROJECTION	TITLE
X.	±0.60	X.	±5°		Top Entry Unshielded Multi Port 1X5
.X	±0.38	.X	±3°	mm	Positions Loaded 6/6, RJ12
.XX	±0.25	.XX	±2°	A4	SHEET SIZE
DRAWING TYPE				CUSTOMER	
SCALE		1:1	SHEET	1 OF 1	
DRAWING NO.		MJEE - XXXXXXXX			

WAYCONN CO.,LTD