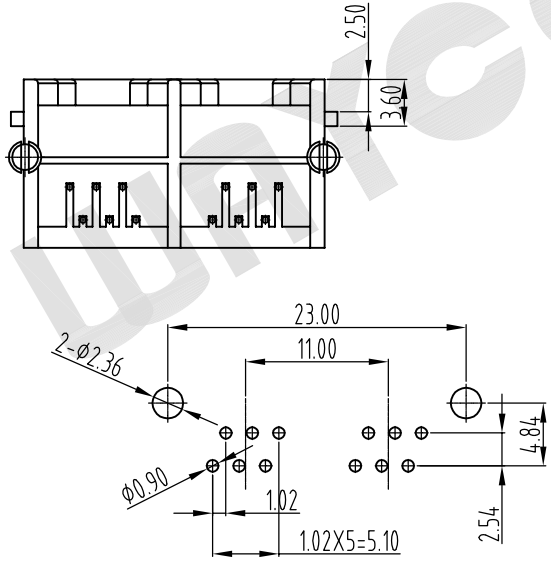
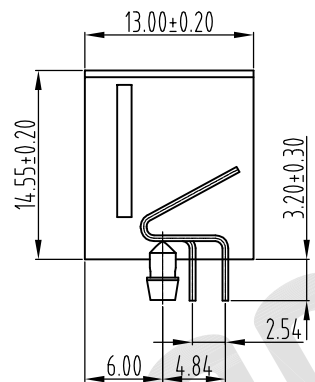
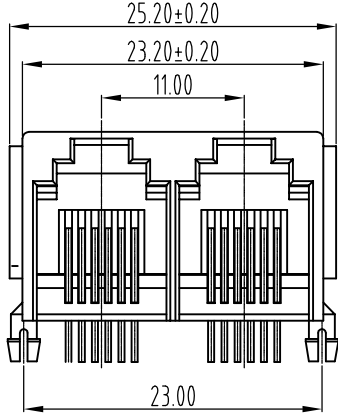


REV.	DESCRIPTION	DRAWN	CHECKED	APPROVED
A	NEW RELEASE	JLZ 03/24/16'	~	



PCB LAYOUT/TOP VIEW

Material:
Housing Material: PBT, PA66, PA46, High Temp Nylon UL94V-0, Black and Grey Color
Contact Material: Phosphor Bronze 0.46mm, Round PIN
Plating: Gold Plating over Nickel

Electrical:
Voltage Rating: 125 V AC RMS
Current Rating: 1.5 Amp
Contact Resistance: 30mΩ Max.
Insulation Resistance: 500MΩ Min. @ 500 VDC
Dielectric Withstanding Resistance: 1000 VAC RMS 60Hz, 1 Min.

Mechanical:
Durability : 750 Cycles Min.
PCB Retention Force: 10 LBS Min.

Environmental:
Storage Temperature : -40°C to +85°C
Operation Temperature: -40°C to +85°C

MJED - X X X X X X X X

No. of Positions	4,6	Positions Loaded	2,4,6	Panel Stop	0 - w/o Panel Stop 1 - w/ Panel Stop	Ports	N - 1 X N	Insulator Material	1 - PBT 2 - PA66 3 - PA46	Housing Color	1 - Black 2 - Grey 3 - Others	Gold Plating	1 - G/Fμ" 2 - 3μ" 3 - 6μ" 4 - 15μ" 5 - 30μ" 6 - 50μ"
Length	1 - L=13mm 2 - L=15mm												

GENERAL TOLERANCE	ANGLE TOLERANCE	PROJECTION		TITLE	RJ11 1X2, CONN FEMALE, 6/6, RIGHT ANGLE		
X. ±0.60 .X ±0.38 .XX ±0.25	X. ±5° .X ±3° .XX ±2°	UNITS	mm	SHEET SIZE	A4	SERIES MJED SERIES	
DRAWING TYPE	CUSTOMER		WAYCONN CO.,LTD				
SCALE	1:1	SHEET					1 OF 1
DRAWING NO.	MJED - XXXXXXXX						