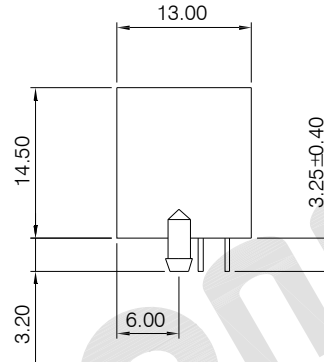
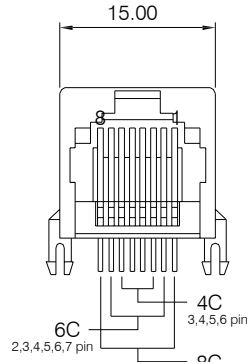


REV.	DESCRIPTION	DRAWN	CHECKED	APPROVED
A	NEW RELEASE	JLZ 03/24/16'	~	



Material:

Housing Material: PBT, PA66, PA46, High Temp Nylon UL94V-0, Black and Grey Color

Contact Material: Phosphor Bronze 0.46mm, Round PIN

Plating: Gold Plating over Nickel

Electrical:

Voltage Rating: 125 V AC RMS

Current Rating: 1.5 Amp

Contact Resistance: 30mΩ Max.

Insulation Resistance: 500MΩ Min. @ 500 VDC

Dielectric Withstanding Resistance: 1000 VAC RMS 60Hz, 1 Min.

Mechanical:

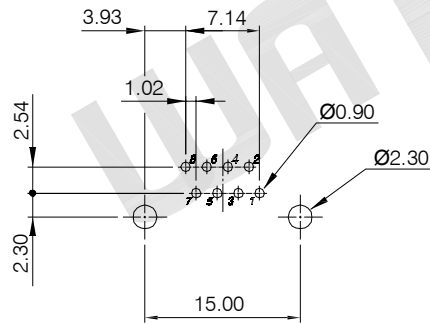
Durability : 750 Cycles Min.

PCB Retention Force: 10 LBS Min.

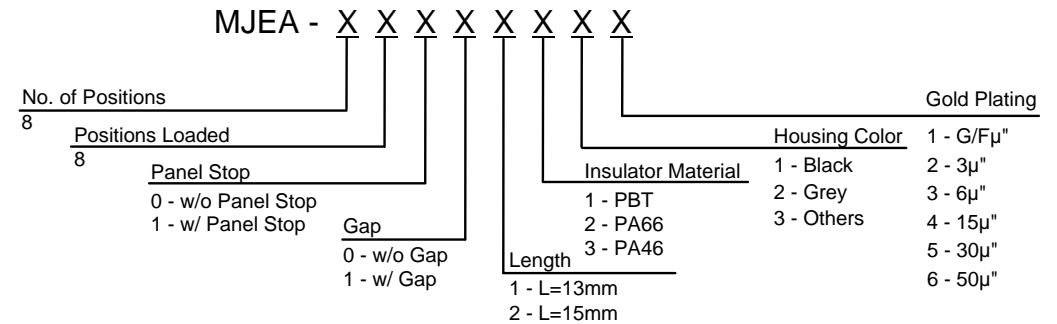
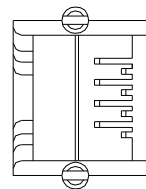
Environmental:

Storage Temperature : -40°C to +85°C

Operation Temperature: -40°C to +85°C



PC Board Layout
Component Side Shown



GENERAL TOLERANCE		ANGLE TOLERANCE		PROJECTION	TITLE
X.	±0.60	X.	±5°	mm	RJ45 8P8C, PCB MOUNT, FEMALE
.X	±0.38	.X	±3°		CONN, RIGHT ANGLE
.XX	±0.25	.XX	±2°		
DRAWING TYPE		CUSTOMER		SHEET SIZE	SERIES
SCALE		1:1		A4	MJEA SERIES
DRAWING NO.		MJEA - XXXXXXXX			

WAYCONN CO.,LTD