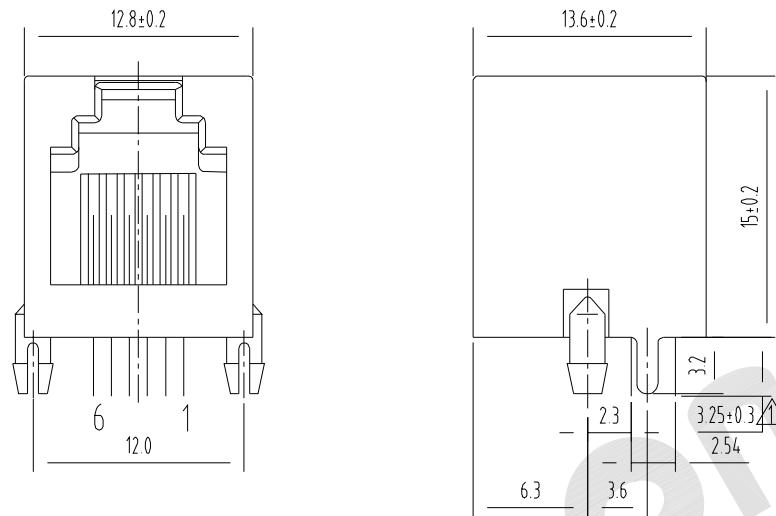


REV.	DESCRIPTION	DRAWN	CHECKED	APPROVED
A	NEW RELEASE	JLZ 03/24/16'		



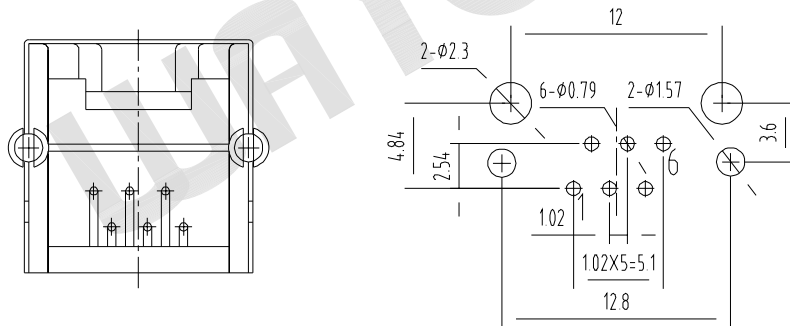
**Material:**  
Housing Material: PBT, PA66, PA46, High Temp Nylon UL94V-0, Black and Grey Color  
Contact Material: Phosphor Bronze 0.46mm, Round PIN  
Plating: Gold Plating over Nickel

**Electrical:**  
Voltage Rating: 125 V AC RMS  
Current Rating: 1.5 Amp  
Contact Resistance: 30mΩ Max.  
Insulation Resistance: 500MΩ Min. @ 500 VDC  
Dielectric Withstanding Resistance: 1000 VAC RMS 60Hz, 1 Min.

**Mechanical:**  
Durability : 750 Cycles Min.  
PCB Retention Force: 10 LBS Min.

**Environmental:**  
Storage Temperature : -40°C to +85°C  
Operation Temperature: -40°C to +85°C

PCB LAYOUT



PCB HOLES(TOP VIEW)  
NOTE: GENERAL TOLERANCE: ±0.05mm

MJEA - X X X X X X X X

No. of Positions	Positions Loaded	Panel Stop	Gap	Length	Insulator Material	Housing Color	Gold Plating
4,6	2,4,6	0 - w/o Panel Stop 1 - w/ Panel Stop	0 - w/o Gap 1 - w/ Gap	1 - L=13mm 2 - L=15mm	1 - PBT 2 - PA66 3 - PA46	1 - Black 2 - Grey 3 - Others	1 - G/Fμ" 2 - 3μ" 3 - 6μ" 4 - 15μ" 5 - 30μ" 6 - 50μ"

GENERAL TOLERANCE		ANGLE TOLERANCE		PROJECTION		TITLE
X.	±0.60	X.	±5°	UNITS	mm	RJ-11 6PIN, RJ11, Shielded
.X	±0.38	.X	±3°	SHEET SIZE	A4	SERIES MJEA SERIES
.XX	±0.25	.XX	±2°	<b>WAYCONN CO.,LTD</b>		
DRAWING TYPE		CUSTOMER				
SCALE		1:1	SHEET 1 OF 1			
DRAWING NO.		MJEA - XXXXXXXX				