

REV.	DESCRIPTION	DRAWN	CHECKED	APPROVED
A	NEW RELEASE	JLZ 03/24/16'		

Material:

Housing Material: PBT, PA66, PA46, High Temp Nylon UL94V-0, Black and Grey Color

Contact Material: Phosphor Bronze 0.46mm, Round PIN

Shield Material: Copper, Nickel Plated

Plating: Gold Plating over Nickel

Electrical:

Voltage Rating: 125 V AC RMS

Current Rating: 1.5 Amp

Contact Resistance: 30mΩ Max.

Insulation Resistance: 500MΩ Min. @ 500 VDC

Dielectric Withstanding Resistance: 1000 VAC RMS 60Hz, 1 Min.

Mechanical:

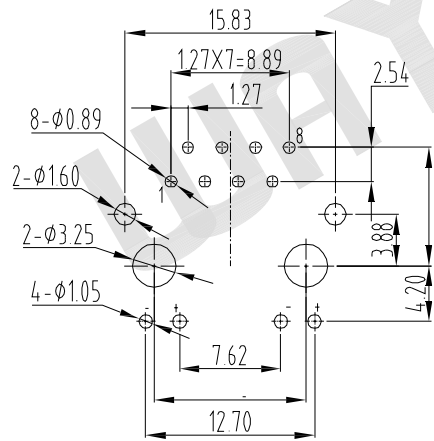
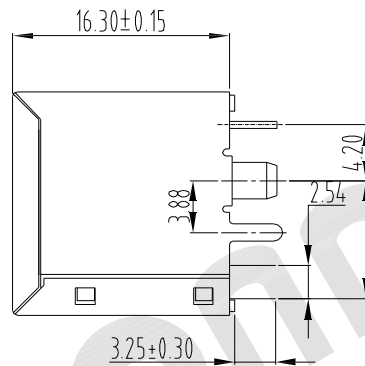
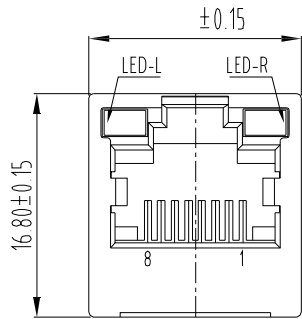
Durability : 750 Cycles Min.

PCB Retention Force: 10 LBS Min.

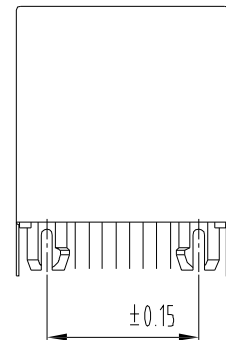
Environmental:

Storage Temperature : -40°C to +85°C

Operation Temperature: -40°C to +85°C



PCB LAYOUT/TOP VIEW



MJBC - 8 8 X X X X X X

Shield							Gold plating
0 - w/o Shield	LED Indicator						Housing Color
1 - w/shield	0 - w/o LED	Peg					1 - G/Fμ"
	1 - Y/G	0 - w/o peg					2 - 3μ"
	2 - G/Y	1 - Front peg 3.05					3 - 6μ"
	3 - R/G	2 - Front peg 3.68					4 - 15μ"
	4 - G/R	3 - Back peg 3.05					5 - 30μ"
	5 - Y/Y	4 - Back peg 3.88					6 - 50μ"
	6 - G/G						
	7 - Other						
							Insulator Material
							1 - Black
							2 - Grey
							3 - Others

GENERAL TOLERANCE		ANGLE TOLERANCE		PROJECTION		TITLE	Vertical RJ45, With Leds,
X.	±0.60	X.	±5°	UNITS	mm	Shielded 8P8C	
.X	±0.38	.X	±3°	SHEET SIZE	A4	SERIES	MJBC SERIES
.XX	±0.25	.XX	±2°	WAYCONN CO.,LTD			
DRAWING TYPE		CUSTOMER					
SCALE	1:1	SHEET	1 OF 1				
DRAWING NO.		MJBC - 88XXXXXX					