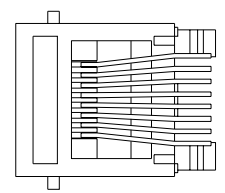
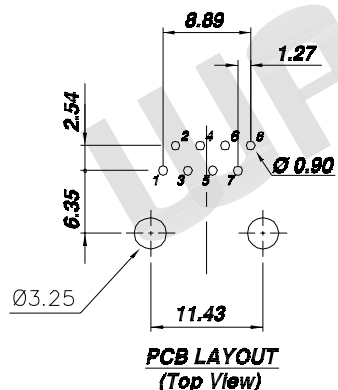
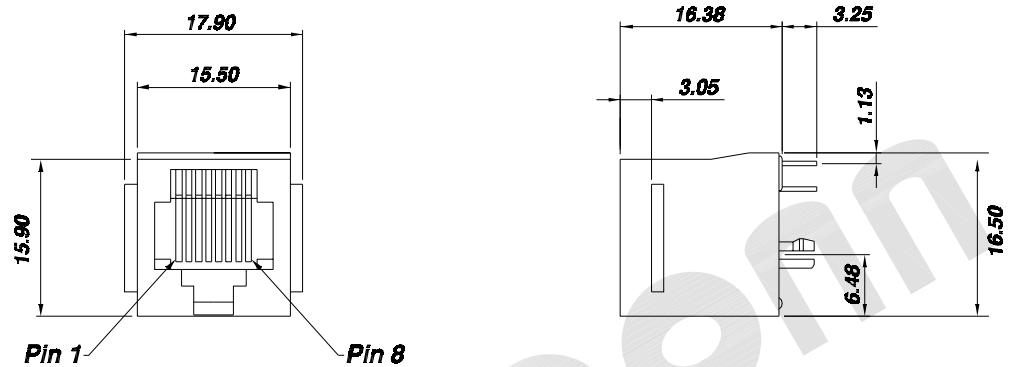


REV.	DESCRIPTION	DRAWN	CHECKED	APPROVED
A	NEW RELEASE	JLZ 03/24/16'	~	

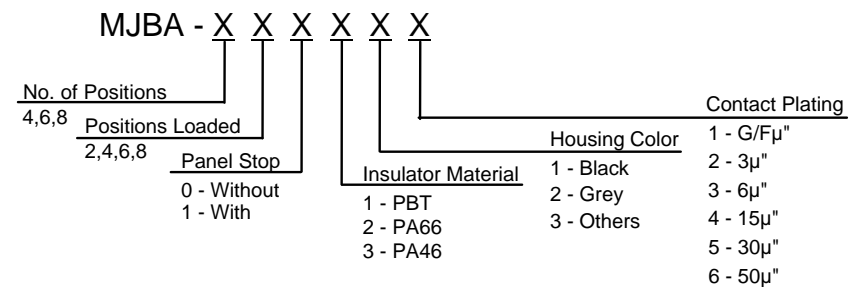


Material:
Housing Material: PBT, PA66, PA46, High Temp Nylon UL94V-0, Black and Grey Color
Contact Material: Phosphor Bronze 0.46mm, Round PIN
Plating: Gold Plating over Nickel

Electrical:
Voltage Rating: 125 V AC RMS
Current Rating: 1.5 Amp
Contact Resistance: 30mΩ Max.
Insulation Resistance: 500MΩ Min. @ 500 VDC
Dielectric Withstanding Resistance: 1000 VAC RMS 60Hz, 1 Min.

Mechanical:
Durability : 750 Cycles Min.
PCB Retention Force: 10 LBS Min.

Environmental:
Storage Temperature : -40°C to +85°C
Operation Temperature: -40°C to +85°C



GENERAL TOLERANCE	ANGLE TOLERANCE	PROJECTION		TITLE	Top Entry, 8/8 Positions Loaded		
X. ±0.60	X. ±5°	UNITS	mm	Unshielded RJ45, With Panel Stop			
.X ±0.38	.X ±3°	SHEET SIZE	A4	SERIES	MJBA SERIES		
.XX ±0.25	.XX ±2°	WAYCONN CO.,LTD					
DRAWING TYPE	CUSTOMER						
SCALE	1:1						SHEET 1 OF 1
DRAWING NO.	MJBA - XXXXXX						