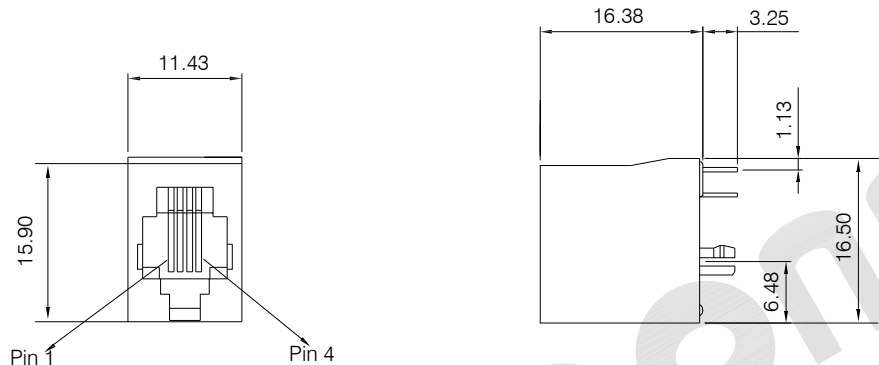


REV.	DESCRIPTION	DRAWN	CHECKED	APPROVED
A	NEW RELEASE	JLZ 03/24/16'	~	

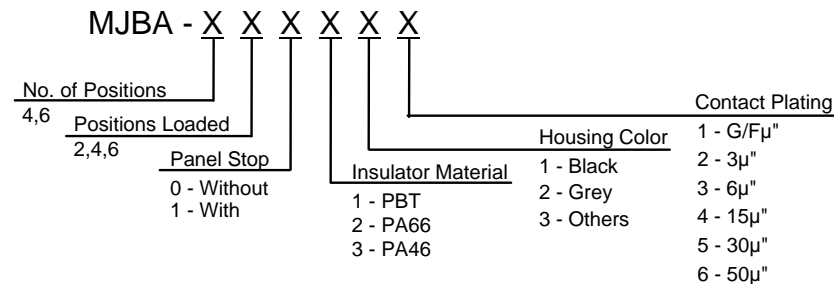
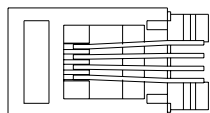
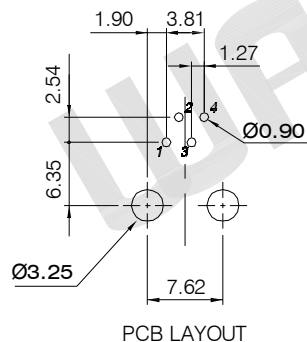


**Material:**  
Housing Material: PBT, PA66, PA46, High Temp Nylon UL94V-0, Black and Grey Color  
Contact Material: Phosphor Bronze 0.46mm, Round PIN  
Plating: Gold Plating over Nickel

**Electrical:**  
Voltage Rating: 125 V AC RMS  
Current Rating: 1.5 Amp  
Contact Resistance: 30mΩ Max.  
Insulation Resistance: 500MΩ Min. @ 500 VDC  
Dielectric Withstanding Resistance: 1000 VAC RMS 60Hz, 1 Min.

**Mechanical:**  
Durability : 750 Cycles Min.  
PCB Retention Force: 10 LBS Min.

**Environmental:**  
Storage Temperature : -40°C to +85°C  
Operation Temperature: -40°C to +85°C



GENERAL TOLERANCE		ANGLE TOLERANCE		PROJECTION		TITLE	Vertical, Unshielded 4 Positions	
X.	±0.60	X.	±5°	UNITS	mm	Without Panel Stop		
.X	±0.38	.X	±3°	SHEET SIZE	A4	SERIES	MJBA SERIES	
.XX	±0.25	.XX	±2°	<b>WAYCONN CO.,LTD</b>				
DRAWING TYPE		CUSTOMER						
SCALE	1:1	SHEET	1 OF 1					
DRAWING NO.		MJBA - XXXXXX						