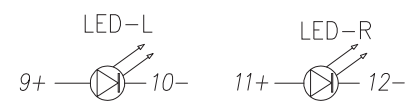
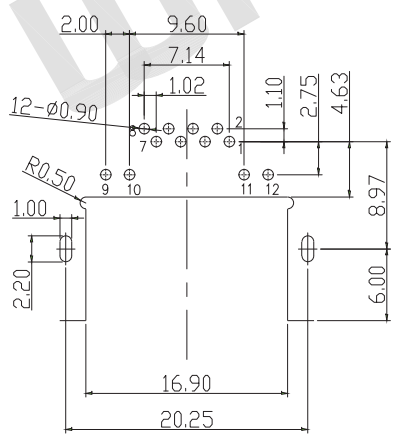
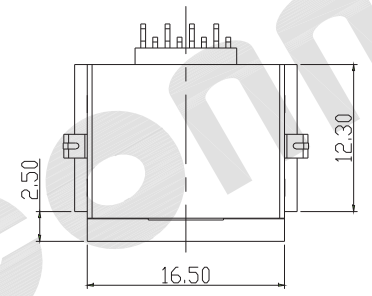
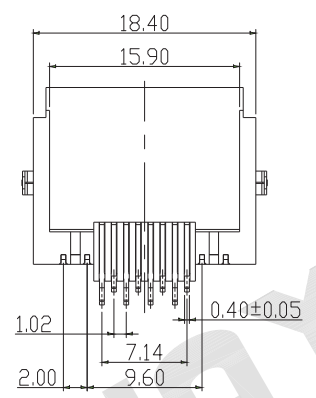
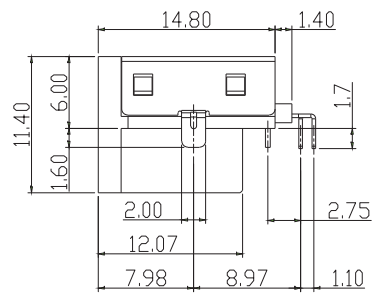
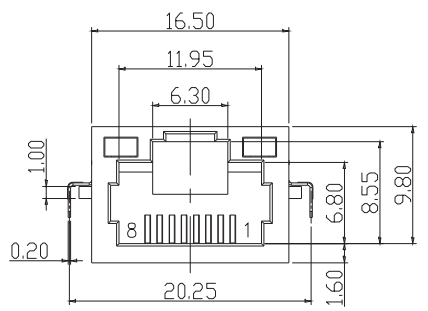


REV.	DESCRIPTION	DRAWN	CHECKED	APPROVED
A	NEW RELEASE	JLZ 03/24/16'	~	



Recommend PCB Layout  
(Jack Top View)  
Tolerance: ±0.05mm  
Recommend PCB Thickness: 1.2mm

**Description:**  
Half-Shielded RJ45 Offset Jack w/ LED, H=6.00MM

**Material:**  
Housing Material: High Temp Nylon, LCP, UL94V-0  
Contact Material: Phosphor Bronze T-0.35mm Thickness  
Plating: Selective Gold Plating on Contact Area  
Gold Plating Thickness: (Au 1u", 3u", 6u", 15u", 30u", 50u")  
100u" Min. Matte Tin Plated on Soldering Area  
50u" Min. Nickel Plated Overall  
Shell: Copper Alloy, 0.25mm Thickness

**Electrical:**  
Voltage Rating: 125 V AC RMS  
Current Rating: 1.5 Amp  
Contact Resistance: 30mΩ Max.  
Insulation Resistance: 500MΩ Min. @ 500 VDC  
Dielectric Withstanding Resistance: 1000 VAC RMS 50Hz, 1 Min.

**Mechanical:**  
Durability : 750 Cycles Min.

**Environmental:**  
Storage Temperature : -40°C to +85°C  
Operation Temperature : -40°C to +85°C

Reflow Soldering Temperature : 255°C to 265°C, 5-10 seconds

MJ7041R - X X X X X X X

No. of Positions	Positions Loaded	Shield	LED	Insulator Material	Contact Plating	Packing Style
4,6,8	2,4,6,8	0 - w/o Shield 1 - Shielded w/o EMI 2 - Shielded w/ EMI 3 - Half Shielded	0 - Without 1 - G/Y 2 - Y/G	1 - PBT 2 - PA66 3 - PA46 4 - LCP	1 - 1μ" 2 - 3μ" 3 - 6μ" 4 - 15μ" 5 - 30μ"	1 - Tape & Reel 2 - Plastic Tray

GENERAL TOLERANCE		ANGLE TOLERANCE		PROJECTION	TITLE
X.	±0.60	X.	±5°	mm	Half-Shielded RJ45 Offset Jack
.X	±0.38	.X	±3°		w/ LED, H=6.00MM
.XX	±0.25	.XX	±2°		SHEET SIZE A4 SERIES OFFSET SERIES
DRAWING TYPE CUSTOMER				<b>WAYCONN CO.,LTD</b>	
SCALE 1:1		SHEET 1 OF 1			
DRAWING NO. MJ7041R-XXXXXXX					