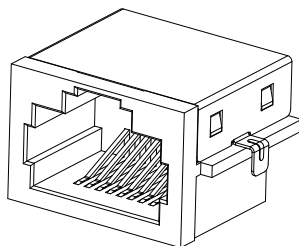
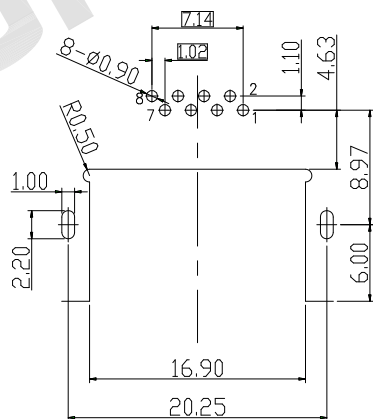
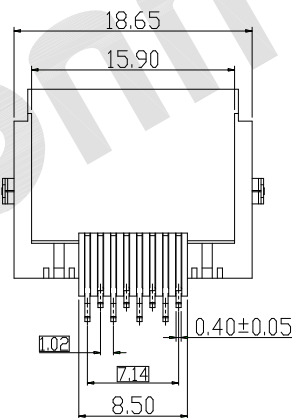
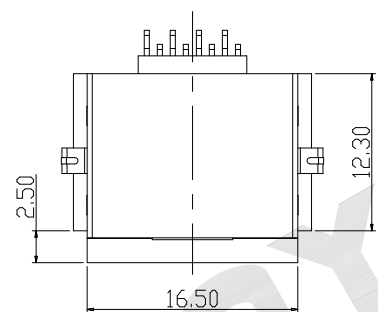
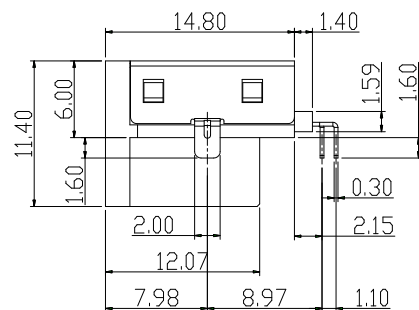
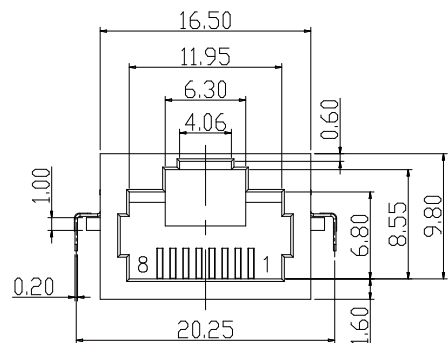


REV.	DESCRIPTION	DRAWN	CHECKED	APPROVED
A	NEW RELEASE	JLZ 03/24/16'		



Description:

Half Shielded Offset RJ45, Tab Up, Above PCB Height: 6.0mm

Material:

Housing Material: High Temp Nylon, LCP, UL94V-0
 Contact Material: Phosphor Bronze T-0.35mm Thickness
 Plating: Selective Gold Plating on Contact Area
 Gold Plating Thickness: (Au 1u", 3u", 6u", 15u", 30u", 50u")
 100u" Min. Matte Tin Plated on Soldering Area
 50u" Min. Nickel Plated Overall
 Shell: Copper Alloy, 0.25mm Thickness

Electrical:

Voltage Rating: 125 V AC RMS
 Current Rating: 1.5 Amp
 Contact Resistance: 30mΩ Max.
 Insulation Resistance: 500MΩ Min. @ 500 VDC
 Dielectric Withstanding Resistance: 1000 VAC RMS 50Hz, 1 Min.

Mechanical:

Durability : 750 Cycles Min.

Environmental:

Storage Temperature : -40°C to +85°C
 Operation Temperature : -40°C to +85°C

Reflow Soldering Temperature : 255°C to 265°C, 5-10 seconds

MJ7041R - X X X X X X X

No. of Positions									Packing Style
4,6,8	Positions Loaded								1 - Tape & Reel
2,4,6,8	Shield								2 - Plastic Tray
0 - w/o Shield									
1 - Shielded w/o EMI									
2 - Shielded w/ EMI									
3 - Half Shielded									

Recommend PCB Layout
 (Jack Top View)
 Tolerance: ±0.05mm
 Recommend PCB Thickness: 1.2mm

GENERAL TOLERANCE	ANGLE TOLERANCE	PROJECTION		TITLE	Half Shielded Offset RJ45, Tab Up, Above PCB Height: 6.0mm
X. ±0.60	X. ±5°	UNITS	mm	SHEET SIZE	A4
.X ±0.38	.X ±3°			SERIES	OFFSET SERIES
.XX ±0.25	.XX ±2°				
DRAWING TYPE	CUSTOMER	WAYCONN CO.,LTD			
SCALE	1:1 SHEET 1 OF 1				
DRAWING NO.	MJ7041R-XXXXXXX				