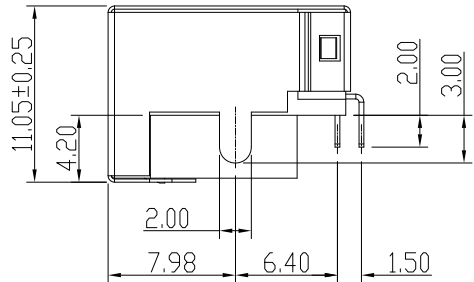
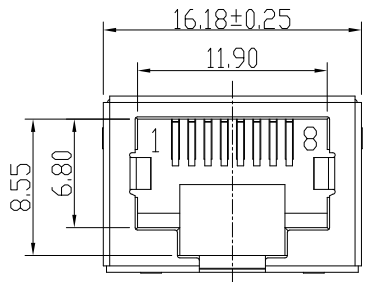


REV.	DESCRIPTION	DRAWN	CHECKED	APPROVED
A	NEW RELEASE	JLZ 03/24/16'		



**Description:**  
 Tab Down, Offset RJ45, Reverse Mouting, Sink: 4.2mm

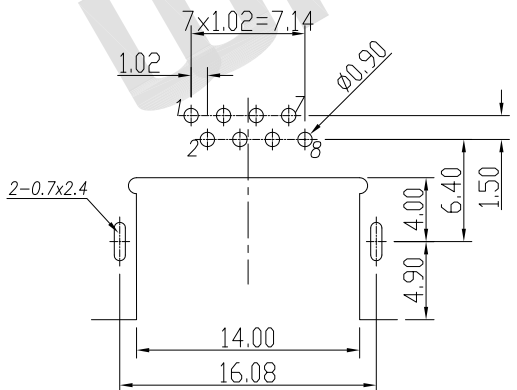
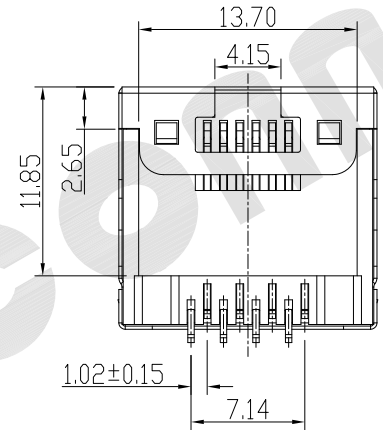
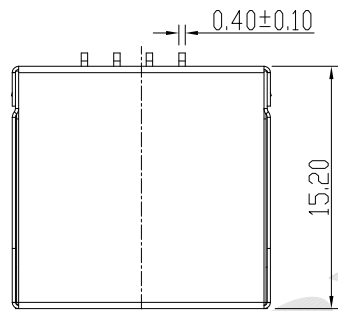
**Material:**  
 Housing Material: High Temp Nylon, LCP, UL94V-0  
 Contact Material: Phosphor Bronze T-0.35mm Thickness  
 Plating: Selective Gold Plating on Contact Area  
 Gold Plating Thickness: (Au 1u", 3u", 6u", 15u", 30u", 50u")  
 100u" Min. Matte Tin Plated on Soldering Area  
 50u" Min. Nickel Plated Overall  
 Shell: Copper Alloy, 0.25mm Thickness

**Electrical:**  
 Voltage Rating: 125 V AC RMS  
 Current Rating: 1.5 Amp  
 Contact Resistance: 30mΩ Max.  
 Insulation Resistance: 500MΩ Min. @ 500 VDC  
 Dielectric Withstanding Resistance: 1000 VAC RMS 50Hz, 1 Min.

**Mechanical:**  
 Durability : 750 Cycles Min.

**Environmental:**  
 Storage Temperature : -40°C to +85°C  
 Operation Temperature: -40°C to +85°C

Reflow Soldering Temperature : 255°C to 265°C, 5-10 seconds



MJ7031R - X X X X X X X

No. of Positions	4,6,8	Positions Loaded	2,4,6,8	Shield	0 - w/o Shield 1 - Shielded w/o EMI 2 - Shielded w/ EMI 3 - Half Shielded	LED	0 - Without 1 - G/Y 2 - Y/G	Insulator Material	1 - PBT 2 - PA66 3 - PA46 4 - LCP	Contact Plating	1 - 1μ" 2 - 3μ" 3 - 6μ" 4 - 15μ" 5 - 30μ"	Packing Style	1 - Tape & Reel 2 - Plastic Tray
------------------	-------	------------------	---------	--------	--	-----	-----------------------------------	--------------------	--	-----------------	---	---------------	-------------------------------------

Recommend PCB Layout  
 (Jack Top View)  
 Tolerance: ±0.05mm

GENERAL TOLERANCE	ANGLE TOLERANCE	PROJECTION		TITLE	Tab Down, Offset RJ45, Reverse Mouting, Shielded, Sinking: 4.2mm		
X. ±0.60	X. ±5°	UNITS	mm	SHEET SIZE	A4		
.X ±0.38	.X ±3°			SERIES	OFFSET SERIES		
.XX ±0.25	.XX ±2°			<b>WAYCONN CO.,LTD</b>			
DRAWING TYPE	CUSTOMER						
SCALE	1:1	SHEET	1 OF 1				
DRAWING NO.	MJ7031R-XXXXXXX						