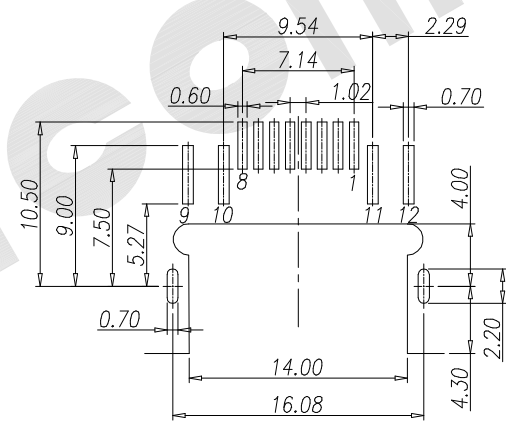
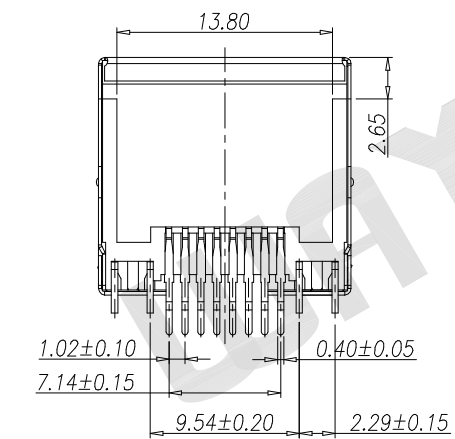
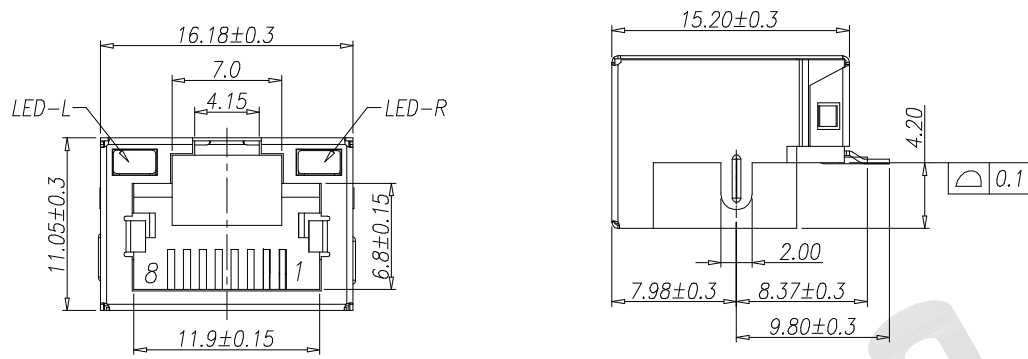
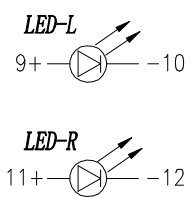


REV.	DESCRIPTION	DRAWN	CHECKED	APPROVED
A	NEW RELEASE	JLZ 03/24/16'	~	



Recommend PCB Layout
(Jack Top View)
Tolerance: ±0.05mm



Description:
Sinking Plate RJ45, SMT Type, Shielded with LED, Sink: 4.2mm

Material:
Housing Material: High Temp Nylon, LCP, UL94V-0
Contact Material: Phosphor Bronze T-0.35mm Thickness
Plating: Selective Gold Plating on Contact Area
Gold Plating Thickness: (Au 1u", 3u", 6u", 15u", 30u", 50u")
100u" Min. Matte Tin Plated on Soldering Area
50u" Min. Nickel Plated Overall
Shell: Copper Alloy, 0.25mm Thickness

Electrical:
Voltage Rating: 125 V AC RMS
Current Rating: 1.5 Amp
Contact Resistance: 30mΩ Max.
Insulation Resistance: 500MΩ Min. @ 500 VDC
Dielectric Withstanding Resistance: 1000 VAC RMS 50Hz, 1 Min.

Mechanical:
Durability : 750 Cycles Min.

Environmental:
Storage Temperature : -40°C to +85°C
Operation Temperature : -40°C to +85°C

Reflow Soldering Temperature : 255°C to 265°C, 5-10 seconds

MJ7021T - X X X X X X X

No. of Positions	Packing Style
4,6,8	1 - Tape & Reel
2,4,6,8	2 - Plastic Tray
Shield	Contact Plating
0 - w/o Shield	1 - 1μ"
1 - Shielded w/o EMI	2 - 3μ"
2 - Shielded w/ EMI	3 - 6μ"
3 - Half Shielded	4 - 15μ"
	5 - 30μ"
LED	Insulator Material
0 - Without	1 - PBT
1 - G/Y	2 - PA66
2 - Y/G	3 - PA46
3 - Other	4 - LCP
	5 - PA9T

GENERAL TOLERANCE		ANGLE TOLERANCE		PROJECTION	TITLE
X.	±0.60	X.	±5°	mm	Sinking Plate RJ45, SMT Type, Shielded with LED, Sink: 4.2mm
.X	±0.38	.X	±3°		
.XX	±0.25	.XX	±2°		
DRAWING TYPE		CUSTOMER		SHEET SIZE	SERIES
SCALE		1:1		A4	OFFSET & SMT SERIES
DRAWING NO.		MJ7021T-XXXXXXX			

WAYCONN CO.,LTD