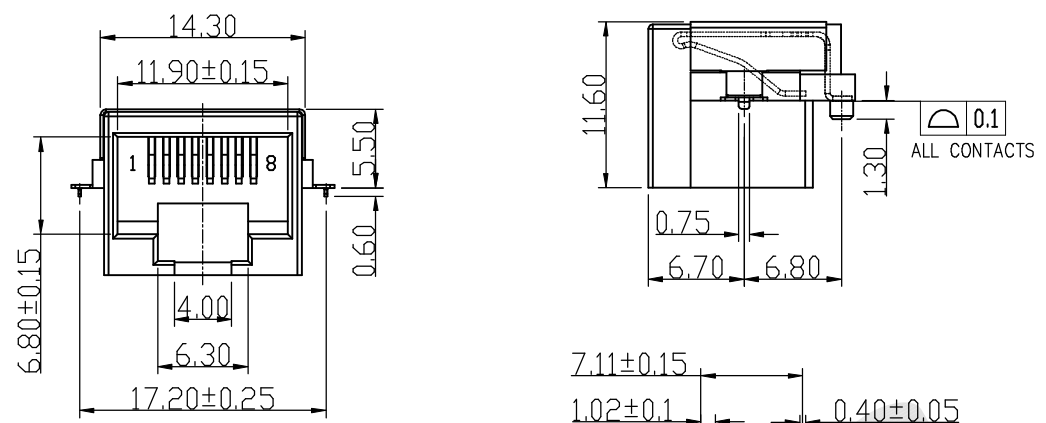
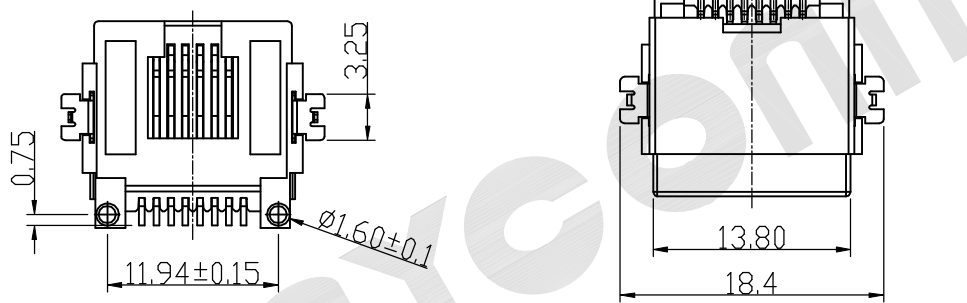


REV.	DESCRIPTION	DRAWN	CHECKED	APPROVED
A	NEW RELEASE	JLZ 03/24/16'	~	



Description:
RJ45 Offset Socket, Reverse Mounting, Above PCB: 5.5mm

Material:
Housing Material: High Temp Nylon, LCP, UL94V-0
Contact Material: Phosphor Bronze T-0.35mm Thickness
Plating: Selective Gold Plating on Contact Area
Gold Plating Thickness: (Au 1u", 3u", 6u", 15u", 30u", 50u")
100u" Min. Matte Tin Plated on Soldering Area
50u" Min. Nickel Plated Overall
Shell: Copper Alloy, 0.25mm Thickness

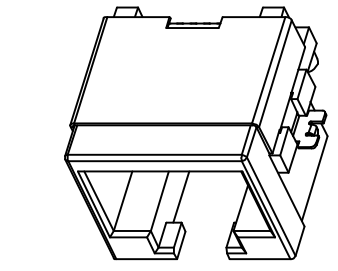
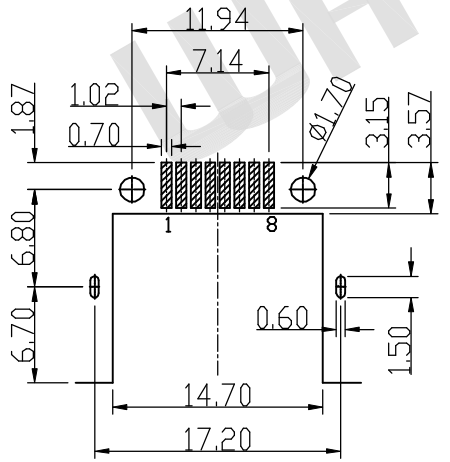


Electrical:
Voltage Rating: 125 V AC RMS
Current Rating: 1.5 Amp
Contact Resistance: 30mΩ Max.
Insulation Resistance: 500MΩ Min. @ 500 VDC
Dielectric Withstanding Resistance: 1000 VAC RMS 50Hz, 1 Min.

Mechanical:
Durability : 750 Cycles Min.

Environmental:
Storage Temperature : -40°C to +85°C
Operation Temperature : -40°C to +85°C

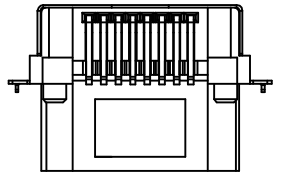
Reflow Soldering Temperature : 255°C to 265°C, 5-10 seconds



MJ7012T - X X X X X X X

No. of Positions	Positions Loaded	Shield	LED	Insulator Material	Contact Plating	Packing Style
4,6,8	2,4,6,8	0 - w/o Shield 1 - Shielded w/o EMI 2 - Shielded w/ EMI 3 - Half Shielded	0 - Without 1 - G/Y 2 - Y/G 3 - Other	1 - PBT 2 - PA66 3 - PA46 4 - LCP 5 - PA9T	1 - 1μ" 2 - 3μ" 3 - 6μ" 4 - 15μ" 5 - 30μ"	1 - Tape & Reel 2 - Plastic Tray

Recommend PCB Layout
Jack Top View
Tolerance: ±0.05mm



GENERAL TOLERANCE		ANGLE TOLERANCE	
X.	±0.60	X.	±5°
.X	±0.38	.X	±3°
.XX	±0.25	.XX	±2°

PROJECTION	TITLE	RJ45 Offset Socket, w/ Half Shield, Reverse Mounting, Above PCB: 5.5mm	
mm		SERIES	OFFSET SMT SERIES

DRAWING TYPE	CUSTOMER		
SCALE	1:1	SHEET	1 OF 1
DRAWING NO.	MJ7012T-XXXXXXX		

WAYCONN CO.,LTD