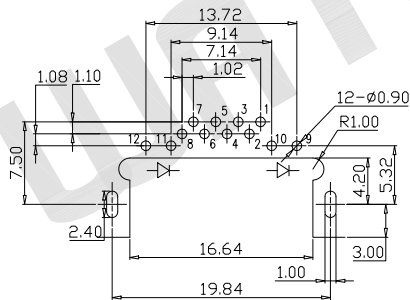
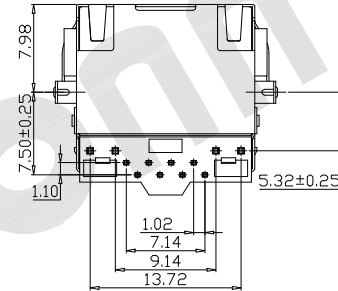
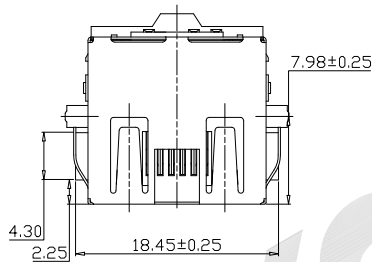
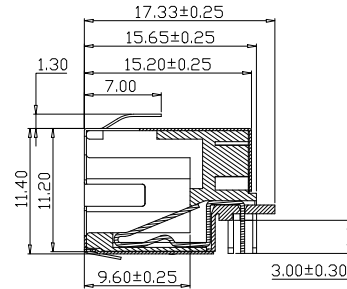
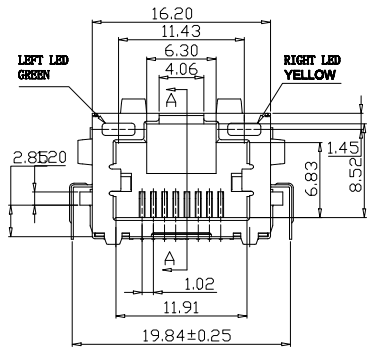
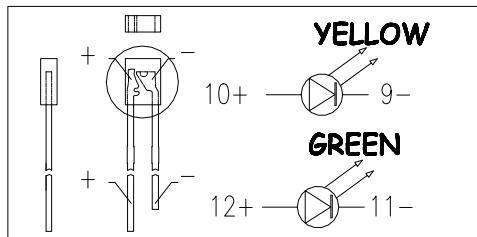


REV.	DESCRIPTION	DRAWN	CHECKED	APPROVED
A	NEW RELEASE	JLZ 03/24/16'	~	



RECOMMENDED PCB LAYOUT (TOP VIEW)  
(ALL TOLERANCES ARE ±0.05)



**Description:**

Offset RJ45 with LED & 6 EMI, Sinking: 3.00mm

**Material:**

Housing Material: High Temp Nylon, LCP, UL94V-0

Contact Material: Phosphor Bronze T-0.35mm Thickness

Plating: Selective Gold Plating on Contact Area

Gold Plating Thickness: (Au 1u", 3u", 6u", 15u", 30u", 50u")

100u" Min. Matte Tin Plated on Soldering Area

50u" Min. Nickel Plated Overall

Shell: Copper Alloy, 0.25mm Thickness

**Electrical:**

Voltage Rating: 125 V AC RMS

Current Rating: 1.5 Amp

Contact Resistance: 30mΩ Max.

Insulation Resistance: 500MΩ Min. @ 500 VDC

Dielectric Withstanding Resistance: 1000 VAC RMS 50Hz, 1 Min.

**Mechanical:**

Durability : 750 Cycles Min.

**Environmental:**

Storage Temperature : -40°C to +85°C

Operation Temperature: -40°C to +85°C

Reflow Soldering Temperature : 255°C to 265°C, 5-10 seconds

MJ7011V - X X X X X X X

No. of Positions	Positions Loaded	Shield	LED	Insulator Material	Contact Plating	Packing Style
4,6,8	2,4,6,8	0 - w/o Shield 1 - Shielded w/o EMI 2 - Shielded w/ EMI 3 - Half Shielded	0 - Without 1 - G/Y 2 - Y/G 3 - Other	1 - PBT 2 - PA66 3 - PA46 4 - LCP 5 - PA9T	1 - 1μ" 2 - 3μ" 3 - 6μ" 4 - 15μ" 5 - 30μ"	1 - Tape & Reel 2 - Plastic Tray

GENERAL TOLERANCE		ANGLE TOLERANCE		PROJECTION	mm	TITLE
X.	±0.60	X.	±5°	⊕		Offset RJ45 with LED & 6 EMI,
.X	±0.38	.X	±3°			Tab Up, 8P8C, Sinking: 3.00mm
.XX	±0.25	.XX	±2°			SHEET SIZE A4 SERIES OFFSET SERIES
DRAWING TYPE		CUSTOMER		<b>WAYCONN CO.,LTD</b>		
SCALE		1:1 SHEET 1 OF 1				
DRAWING NO.		MJ7011V- XXXXXXXX				