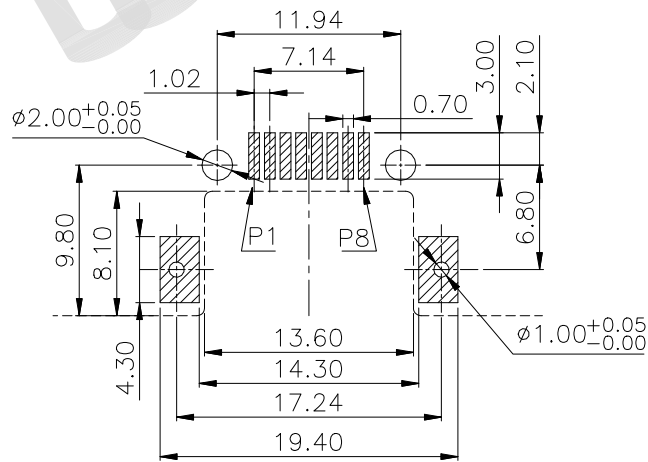
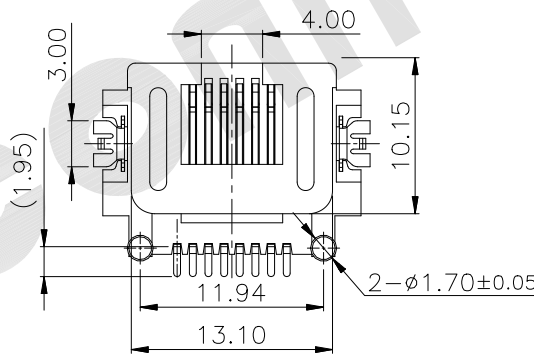
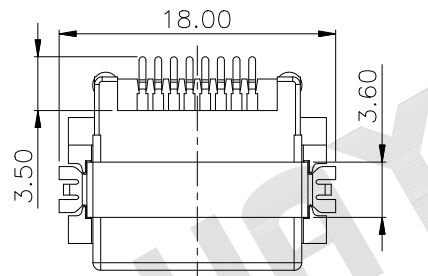
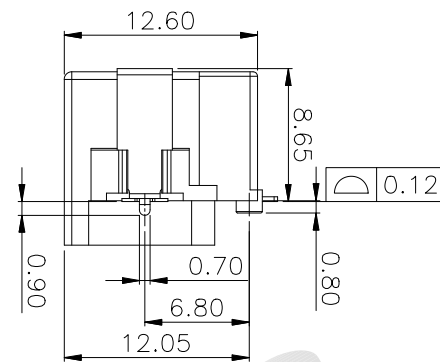
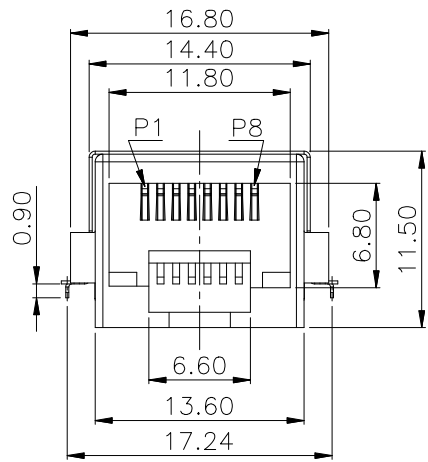


| REV. | DESCRIPTION | DRAWN | CHECKED | APPROVED |
|------|-------------|---------------|---------|----------|
| A | NEW RELEASE | JLZ 03/24/16' | ~ | |



RECOMMENDED PCB LAYOUT
GENERAL TOLERANCE ±0.05

Description:

Half-Shielded Offset RJ45 Jack, SMT Type

Material:

Housing Material: High Temp Nylon, LCP, UL94V-0
Contact Material: Phosphor Bronze T-0.35mm Thickness
Plating: Selective Gold Plating on Contact Area
Gold Plating Thickness: (Au 1u", 3u", 6u", 15u", 30u", 50u")
100u" Min. Matte Tin Plated on Soldering Area
50u" Min. Nickel Plated Overall
Shell: Copper Alloy, 0.25mm Thickness

Electrical:

Voltage Rating: 125 V AC RMS
Current Rating: 1.5 Amp
Contact Resistance: 30mΩ Max.
Insulation Resistance: 500MΩ Min. @ 500 VDC
Dielectric Withstanding Resistance: 1000 VAC RMS 50Hz, 1 Min.

Mechanical:

Durability : 750 Cycles Min.

Environmental:

Storage Temperature : -40°C to +85°C
Operation Temperature : -40°C to +85°C

Reflow Soldering Temperature : 255°C to 265°C, 5-10 seconds

MJ7011T - X X X X X X X

| No. of Positions | Positions Loaded | Shield | LED | Insulator Material | Contact Plating | Packing Style |
|------------------|------------------|------------------------------------------------------------------------------------|------------------------------------------------|--------------------------------------------------------|-------------------------------------------------------|-------------------------------------|
| 4,6,8 | 2,4,6,8 | 0 - w/o Shield 1 - Shielded w/o EMI 2 - Shielded w/ EMI 3 - Half Shielded | 0 - Without 1 - G/Y 2 - Y/G 3 - Other | 1 - PBT 2 - PA66 3 - PA46 4 - LCP 5 - PA9T | 1 - 1μ" 2 - 3μ" 3 - 6μ" 4 - 15μ" 5 - 30μ" | 1 - Tape & Reel 2 - Plastic Tray |

| GENERAL TOLERANCE | | ANGLE TOLERANCE | | PROJECTION | TITLE |
|-------------------|-------|-------------------|-----|--------------|-------------------------------------|
| X. | ±0.60 | X. | ±5° | mm | Half-Shielded Offset RJ45 Jack, SMT |
| .X | ±0.38 | .X | ±3° | | Type, Above PCB Height: 8.65mm |
| .XX | ±0.25 | .XX | ±2° | SHEET SIZE | A4 |
| DRAWING TYPE | | CUSTOMER | | SERIES | OFFSET & SMT SERIES |
| SCALE | | 1:1 | | SHEET 1 OF 1 | |
| DRAWING NO. | | MJ7011T- XXXXXXXX | | | |

WAYCONN CO.,LTD