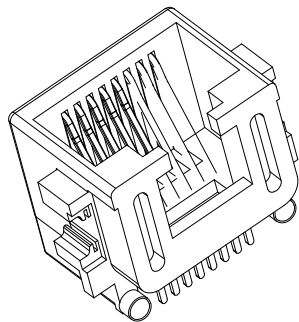
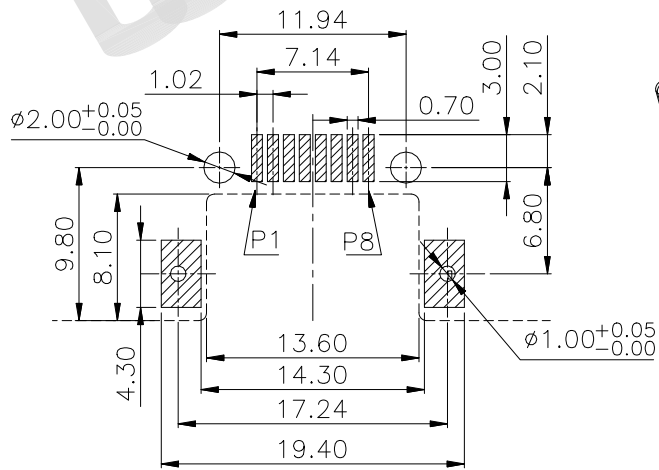
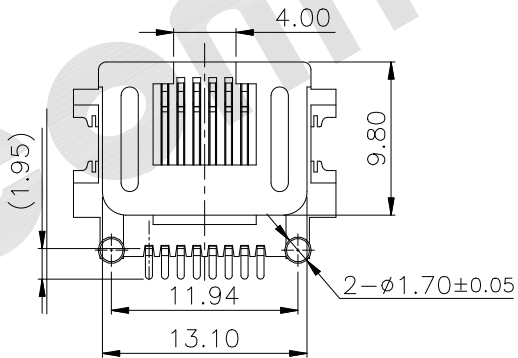
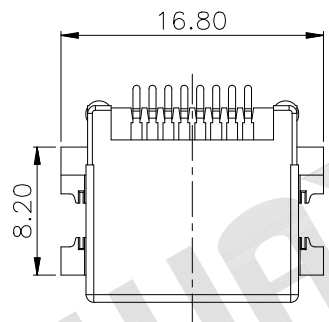
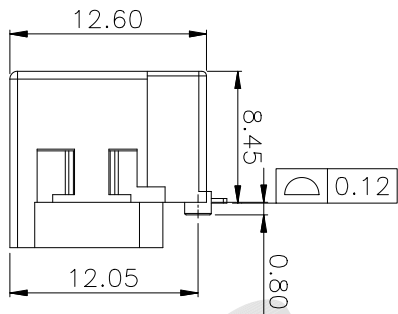
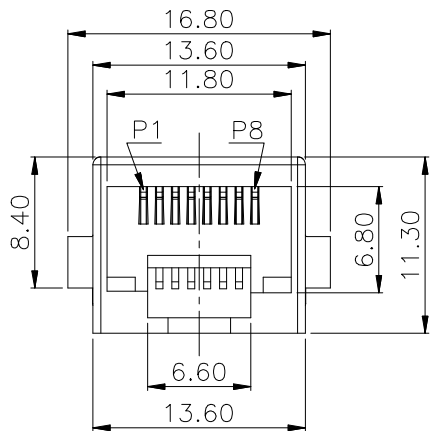


REV.	DESCRIPTION	DRAWN	CHECKED	APPROVED
A	NEW RELEASE	JLZ 03/24/16'	~	



Description:

Offset, SMT Type, RJ45 8P8C, Unshielded, Tab Down

Material:

Housing Material: High Temp Nylon, LCP, UL94V-0
 Contact Material: Phosphor Bronze T-0.35mm Thickness
 Plating: Selective Gold Plating on Contact Area
 Gold Plating Thickness: (Au 1u", 3u", 6u", 15u", 30u", 50u")
 100u" Min. Matte Tin Plated on Soldering Area
 50u" Min. Nickel Plated Overall
 Shell: Copper Alloy, 0.25mm Thickness

Electrical:

Voltage Rating: 125 V AC RMS
 Current Rating: 1.5 Amp
 Contact Resistance: 30mΩ Max.
 Insulation Resistance: 500MΩ Min. @ 500 VDC
 Dielectric Withstanding Resistance: 1000 VAC RMS 50Hz, 1 Min.

Mechanical:

Durability : 750 Cycles Min.

Environmental:

Storage Temperature : -40°C to +85°C
 Operation Temperature : -40°C to +85°C

Reflow Soldering Temperature : 255°C to 265°C, 5-10 seconds

MJ7011T - X X X X X X X

No. of Positions	Positions Loaded	Shield	LED	Insulator Material	Contact Plating	Packing Style
4,6,8		0 - w/o Shield 1 - Shielded w/o EMI 2 - Shielded w/ EMI 3 - Half Shielded	0 - Without 1 - G/Y 2 - Y/G 3 - Other	1 - PBT 2 - PA66 3 - PA46 4 - LCP 5 - PA9T	1 - 1μ" 2 - 3μ" 3 - 6μ" 4 - 15μ" 5 - 30μ"	1 - Tape & Reel 2 - Plastic Tray

GENERAL TOLERANCE		ANGLE TOLERANCE		PROJECTION	TITLE	Offset RJ45 SMT Type, Unshielded, Above PCB Height: 8.45mm		
X.	±0.60	X.	±5°	mm		SHEET SIZE	A4	SERIES
.X	±0.38	.X	±3°		<h1 style="text-align: center;">WAYCONN CO.,LTD</h1>			
.XX	±0.25	.XX	±2°					
DRAWING TYPE		CUSTOMER						
SCALE	1:1	SHEET	1 OF 1					
DRAWING NO.	MJ7011T- XXXXXXX							

RECOMMENDED PCB LAYOUT
 GENERAL TOLERANCE ±0.05