

REV.	DESCRIPTION	DRAWN	CHECKED	APPROVED
A	NEW RELEASE	JLZ 03/24/16'	~	

Description:

SMT Type, RJ45 10P10C, Modular Jack, Shielded

Material:

Housing Material: Glass Filled Polyester Nylon UL94V-0

Contact Material: Phosphor Bronze T-0.35mm Thickness

Plating: Selective Gold Plating on Contact Area

Gold Plating Thickness:(Au 1u", 3u", 6u", 15u", 30u", 50u")

100u" Min. Matte Tin Plated on Soldering Area

50u" Min. Nickel Plated Overall

Shell: Copper Alloy, 0.25mm Thickness

Electrical:

Voltage Rating: 125 V AC RMS

Current Rating: 1.5 Amp

Contact Resistance: 30mΩ Max.

Insulation Resistance: 500MΩ Min. @ 500 VDC

Dielectric Withstanding Resistance: 1000 VAC RMS 50Hz, 1

Min.

Mechanical:

Durability : 750 Cycles Min.

PCB Retention Pre-Solder: 1 LBS Min.

Environmental:

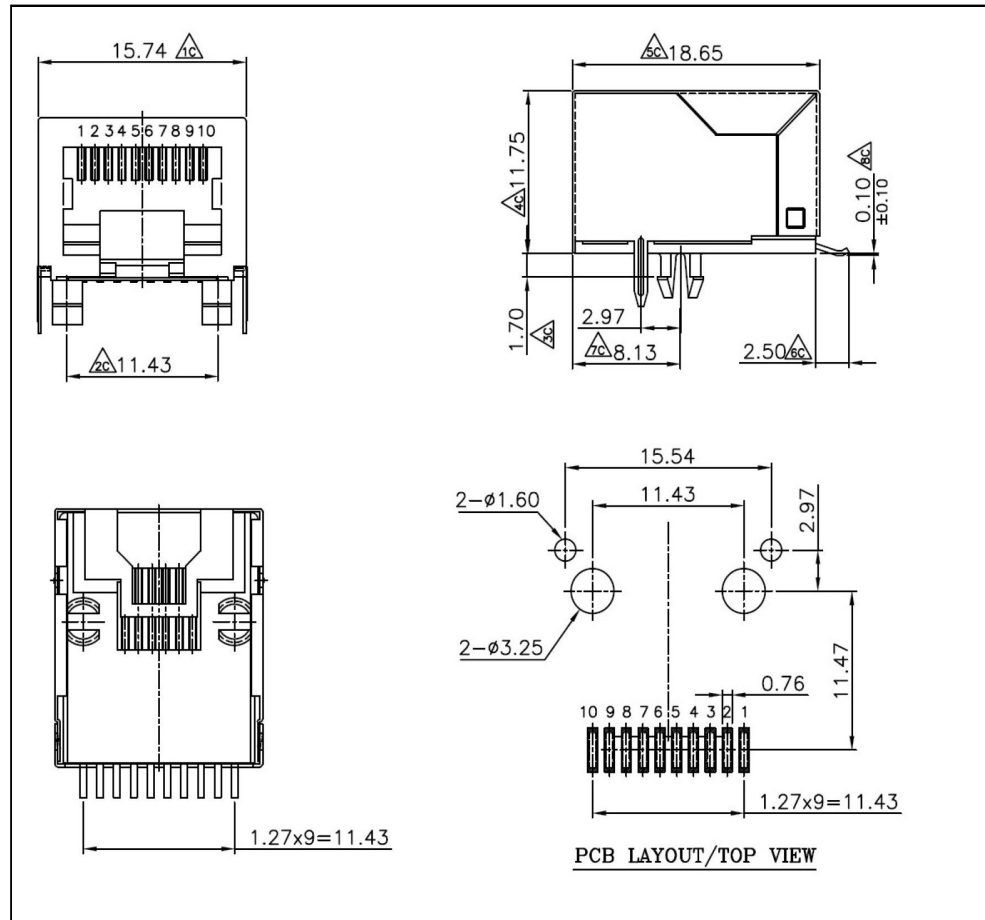
Storage Temperature : -40°C to +85°C

Operation Temperature: -40°C to +85°C

Mates with Modular Plug Conforming to FCC PART 68, SUB PART F

MJ6012S - X X X X X X

No. of Positions	Positions Loaded	Panel Stop	Insulator Material	Housing Color	Contact Plating
4,6,8,10	2,4,6,8,10	0 - Without 1 - With	1 - PBT 2 - PA66 3 - PA46 4 - LCP 5 - PA9T	1 - Black 2 - Grey 3 - Others	1 - 1μ" 2 - 3μ" 3 - 6μ" 4 - 15μ" 5 - 30μ" 6 - 50μ"



GENERAL TOLERANCE		ANGLE TOLERANCE		PROJECTION	TITLE
X.	±0.60	X.	±5°	mm	SMT Type, RJ45 10P10C, Modular Jack, Shielded
.X	±0.38	.X	±3°		
.XX	±0.25	.XX	±2°		
DRAWING TYPE		CUSTOMER		SHEET SIZE	
SCALE		1:1		A4	
DRAWING NO.		MJ6012S-XXXXXX		SERIES	
				SMT SERIES	

WAYCONN CO.,LTD