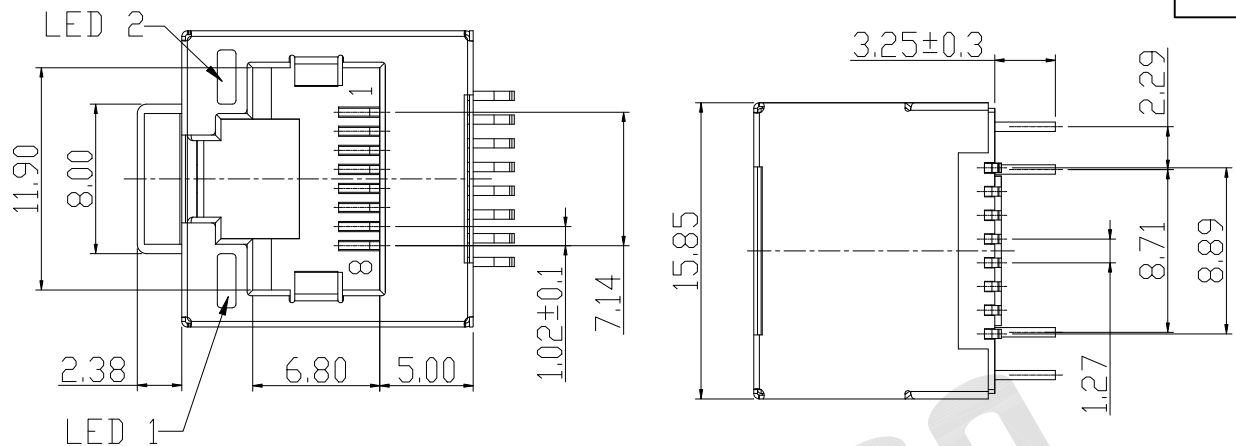


REV.	DESCRIPTION	DRAWN	CHECKED	APPROVED
A	NEW RELEASE	JLZ 03/24/16'	~	



Description:
Shielded Top Entry RJ45 SMT Jack with LED

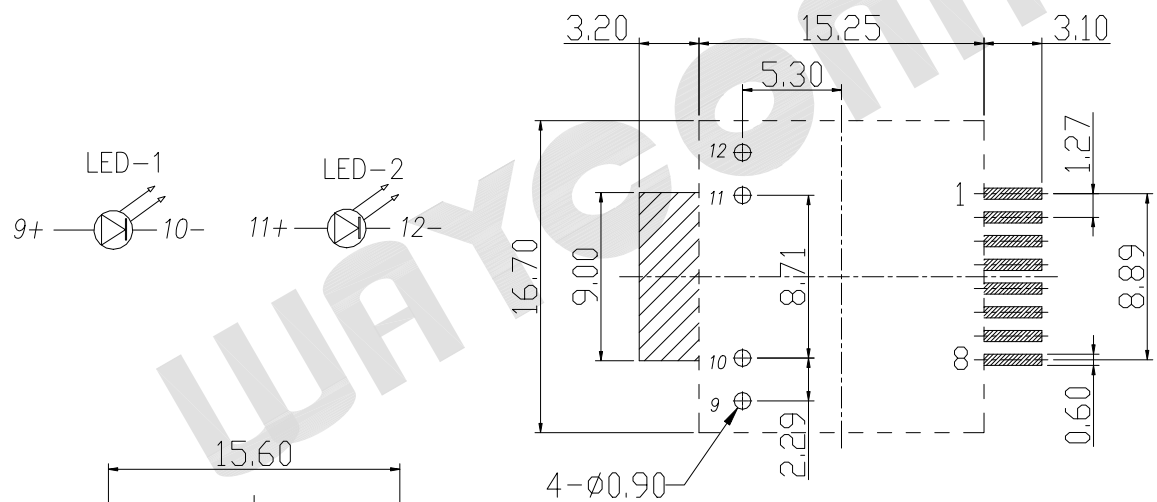
Material:
Housing Material: High Temp Nylon, LCP, PA9T, UL94V-0
Contact Material: Phosphor Bronze T-0.35mm Thickness
Plating: Selective Gold Plating on Contact Area
Gold Plating Thickness: (Au 1u", 3u", 6u", 15u", 30u", 50u")
100u" Min. Matte Tin Plated on Soldering Area
50u" Min. Nickel Plated Overall
Shell: Copper Alloy, 0.25mm Thickness

Electrical:
Voltage Rating: 125 V AC RMS
Current Rating: 1.5 Amp
Contact Resistance: 30mΩ Max.
Insulation Resistance: 500MΩ Min. @ 500 VDC
Dielectric Withstanding Resistance: 1000 VAC RMS 50Hz, 1 Min.

Mechanical:
Durability : 750 Cycles Min.

Environmental:
Storage Temperature : -40°C to +85°C
Operation Temperature: -40°C to +85°C

Reflow Soldering Temperature : 255°C to 265°C, 5-10 seconds



Recommend PCB Layout
(Jack Top View)
Tolerance: ±0.05mm

MJ6011S - X X X X X X

No. of Positions	Positions Loaded	LED	Insulator Material	Contact Plating	Packing Style
4,6,8	2,4,6,8	0 - Without 1 - G/Y 2 - Y/G 3 - Other	1 - PBT 2 - PA66 3 - PA46 4 - LCP 5 - PA9T	1 - 1μ" 2 - 3μ" 3 - 6μ" 4 - 15μ" 5 - 30μ"	1 - Tape & Reel 2 - Plastic Tray

GENERAL TOLERANCE		ANGLE TOLERANCE	
X.	±0.60	X.	±5°
.X	±0.38	.X	±3°
.XX	±0.25	.XX	±2°

PROJECTION	TITLE
	Shielded Top Entry RJ45
UNITS	SMT Jack with LED
SHEET SIZE	SERIES SMT SERIES

DRAWING TYPE	CUSTOMER
SCALE	1:1 SHEET 1 OF 1
DRAWING NO.	MJ6011S- XXXXXX

WAYCONN CO.,LTD

