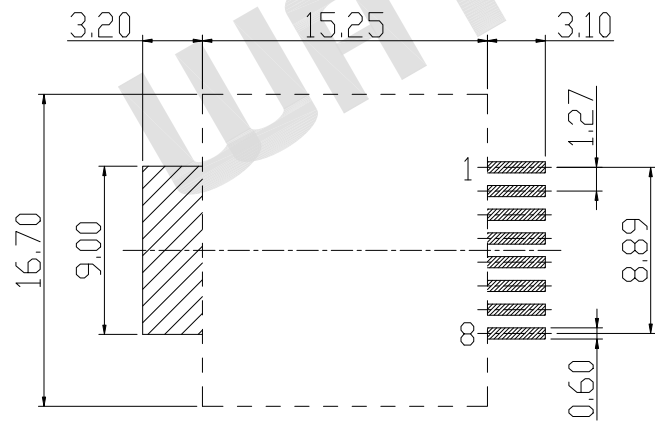
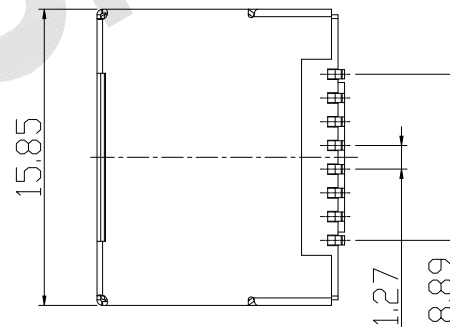


**SPECIFICATION**

1. VOLTAGE RATING: 125 VAC RMS.
2. CURRENT RATING: 1.5 AMP
3. CONTACT RESISTANCE: 40 mΩ MAX
4. INSULATION RESISTANCE: 500MΩ MIN.
5. WITHSTAND VOLTAGE:  
AC1000V RMS 50Hz or 60Hz MIN.
6. OPERATING TEMPERATURE: -40°C~+80°C



MJ6011S - X X X X X X

No. of Positions									
4,6,8	Positions Loaded								Contact Plating
2,4,6,8		Panel Stop							1 - 1μ"
		0 - Without							2 - 3μ"
		1 - With							3 - 6μ"
					Insulator Material				4 - 15μ"
					1 - PA8T	Housing Color			5 - 30μ"
					2 - PA9T	1 - Black			6 - 50μ"
					3 - LCP	2 - Grey			
						3 - Others			

Recommend PCB Layout  
(Jack Top View)  
Tolerance: ±0.05mm

GENERAL TOLERANCE		ANGLE TOLERANCE		PROJECTION		TITLE	RJ45 SMT / SMD Vertical Shielded	
X.	±0.60	X.	±5°	UNITS	mm	Modular Jack Connector, 8P8C		
.X	±0.38	.X	±3°	SHEET SIZE	A4	SERIES	SMT SERIES	
.XX	±0.25	.XX	±2°	<b>WAYCONN CO.,LTD</b>				
DRAWING TYPE		CUSTOMER						
SCALE	1:1	SHEET	1 OF 1					
DRAWING NO.		MJ-6011S - XXXXXX						