

REV.	DESCRIPTION	DRAWN	CHECKED	APPROVED
A	NEW RELEASE	JLZ 03/24/16'		

Description:

RJ11 SMT/SMD Vertical Mount, Unshielded 6P6C

Material:

Housing Material: Glass Filled Polyester Nylon UL94V-0
 Contact Material: Phosphor Bronze T-0.35mm Thickness
 Plating: Selective Gold Plating on Contact Area
 Gold Plating Thickness:(Au 1u", 3u", 6u", 15u", 30u", 50u")
 100u" Min. Matte Tin Plated on Soldering Area
 50u" Min. Nickel Plated Overall
 Shell: Copper Alloy, 0.25mm Thickness

Electrical:

Voltage Rating: 125 V AC RMS
 Current Rating: 1.5 Amp
 Contact Resistance: 30mΩ Max.
 Insulation Resistance: 500MΩ Min. @ 500 VDC
 Dielectric Withstanding Resistance: 1000 VAC RMS 50Hz, 1 Min.

Mechanical:

Durability : 750 Cycles Min.
 PCB Retention Pre-Solder: 1 LBS Min.

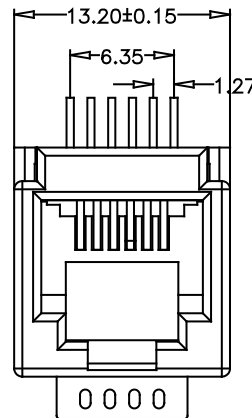
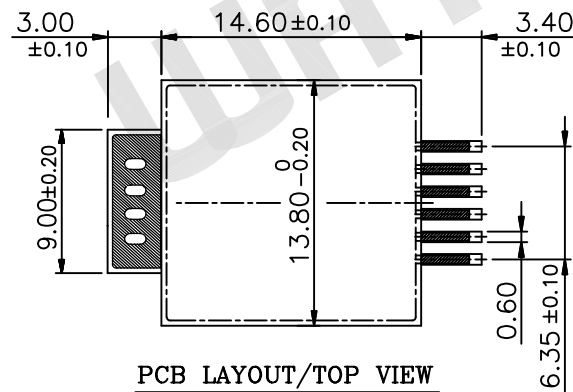
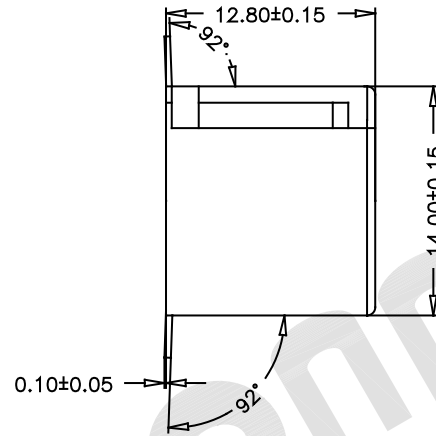
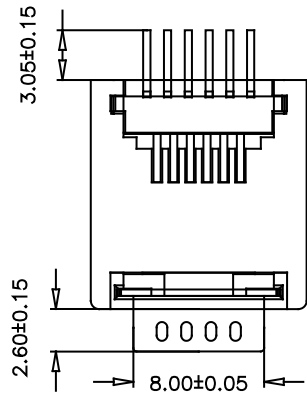
Environmental:

Storage Temperature : -40°C to +85°C
 Operation Temperature: -40°C to +85°C

Mates with Modular Plug Conforming to FCC PART 68, SUB PART F

MJ6011 - X X X X X X

No. of Positions	Positions Loaded	Panel Stop	Insulator Material	Housing Color	Contact Plating
4,6	2,4,6	0 - Without 1 - With	1 - PBT 2 - PA66 3 - PA46 4 - LCP	1 - Black 2 - Grey 3 - Others	1 - 1μ" 2 - 3μ" 3 - 6μ" 4 - 15μ" 5 - 30μ" 6 - 50μ"



GENERAL TOLERANCE		ANGLE TOLERANCE		PROJECTION		TITLE	RJ11 SMT/SMD Vertical Mount	
X.	±0.60	X.	±5°	UNITS	mm	Unshielded 6P6C		
.X	±0.38	.X	±3°	SHEET SIZE	A4	SERIES	SMT SERIES	
.XX	±0.25	.XX	±2°	WAYCONN CO.,LTD				
DRAWING TYPE		CUSTOMER						
SCALE	1:1	SHEET	1 OF 1					
DRAWING NO.		MJ6011-XXXXXX						