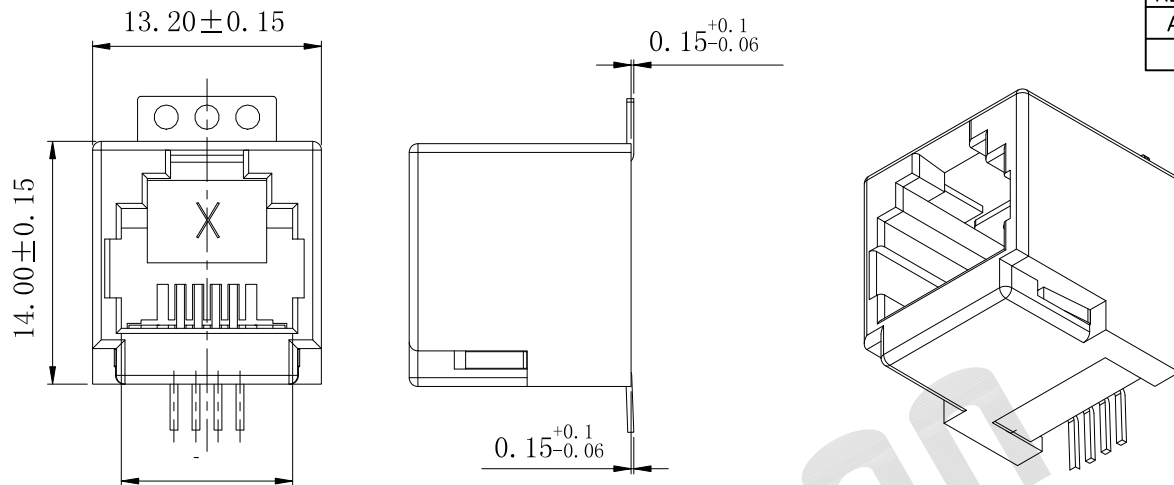


REV.	DESCRIPTION	DRAWN	CHECKED	APPROVED
A	NEW RELEASE	JLZ 03/24/16'	~	



**Material:**

Housing Material: Glass Filled Polyester Nylon UL94V-0  
 Contact Material: Phosphor Bronze T=0.35mm Thickness  
 Plating: Contact Area - Selective Gold Plating  
 Gold Plating Thickness: (Au 1u", 3u", 6u", 15u", 30u", 50u")  
 Tails - 100u" Tin-Lead Min. over 50u" Nickel  
 Shield Material: Copper Alloy, T=0.25mm Thickness

**Electrical:**

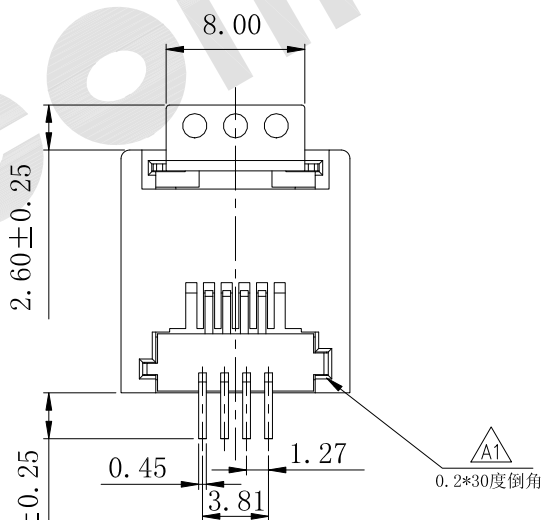
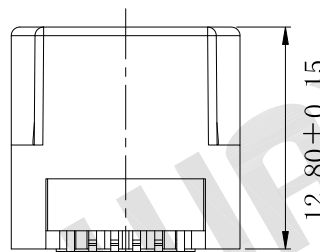
Voltage Rating: 125 V AC RMS  
 Current Rating: 1.5 Amp  
 Contact Resistance: 30mΩ Max.  
 Insulation Resistance: 500MΩ Min. @ 500 VDC  
 Dielectric Withstanding Resistance: 1000 VAC RMS 50Hz, 1 Min.

**Mechanical:**

Durability : 750 Cycles Min.  
 PCB Retention Pre-Solder: 10 LBS Min.

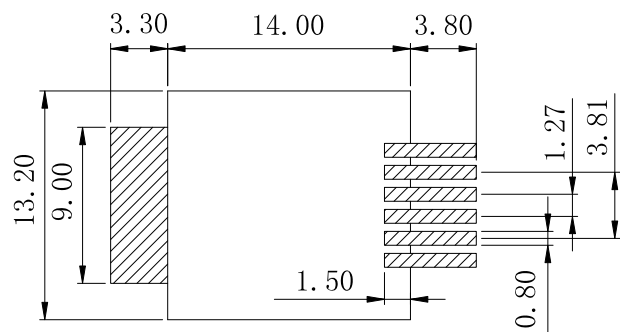
**Environmental:**

Storage Temperature : -40°C to +85°C  
 Operation Temperature: -40°C to +85°C



MJ6011 - X X X X X X

No. of Positions	Positions Loaded	Panel Stop	Insulator Material	Housing Color	Contact Plating
4,6	2,4,6	0 - Without 1 - With	1 - PBT 2 - PA66 3 - PA46	1 - Black 2 - Grey 3 - Others	1 - 1μ" 2 - 3μ" 3 - 6μ" 4 - 15μ" 5 - 30μ" 6 - 50μ"



PCB LAYOUT/TOP VIEW  
TOLERANCE=±0.05

GENERAL TOLERANCE		ANGLE TOLERANCE	
X.	±0.60	X.	±5°
.X	±0.38	.X	±3°
.XX	±0.25	.XX	±2°

PROJECTION	TITLE	RJ11 SMT/SMD Vertical Mount	
mm	Single Port 6P4C		
SHEET SIZE	A4	SERIES	SMT SERIES

DRAWING TYPE	CUSTOMER		
SCALE	1:1	SHEET	1 OF 1
DRAWING NO.	MJ6011 - XXXXXX		

**WAYCONN CO.,LTD**