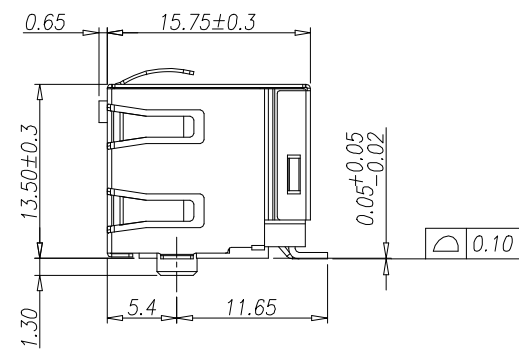
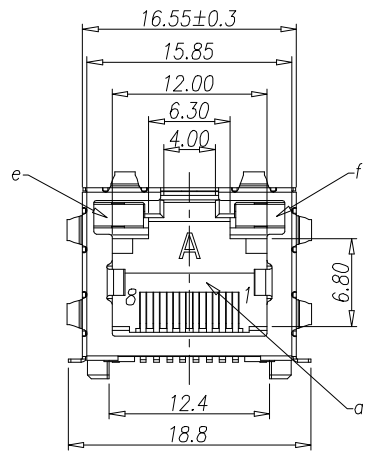


REV.	DESCRIPTION	DRAWN	CHECKED	APPROVED
A	NEW RELEASE	JLZ 03/24/16'		



Description:

Shielded SMT RJ45 Jack, w/ LED, with EMI, 90 Degree

Material:

Housing Material: High Temp Nylon, LCP, PA9T, UL94V-0
 Contact Material: Phosphor Bronze T-0.35mm Thickness
 Plating: Selective Gold Plating on Contact Area
 Gold Plating Thickness: (Au 1u", 3u", 6u", 15u", 30u", 50u")
 100u" Min. Matte Tin Plated on Soldering Area
 50u" Min. Nickel Plated Overall
 Shell: Copper Alloy, 0.25mm Thickness

Electrical:

Voltage Rating: 125 V AC RMS
 Current Rating: 1.5 Amp
 Contact Resistance: 30mΩ Max.
 Insulation Resistance: 500MΩ Min. @ 500 VDC
 Dielectric Withstanding Resistance: 1000 VAC RMS 50Hz, 1 Min.

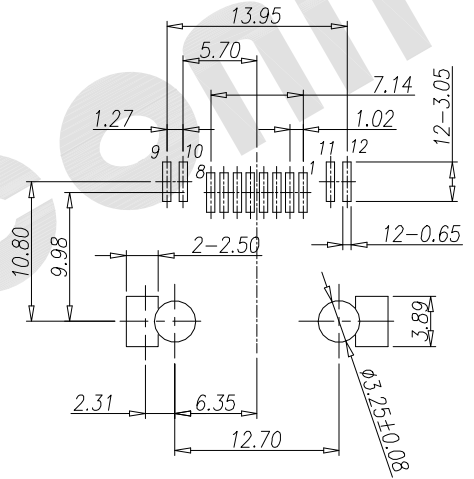
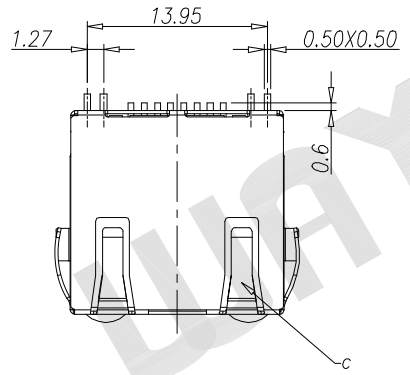
Mechanical:

Durability : 750 Cycles Min.

Environmental:

Storage Temperature : -40°C to +85°C
 Operation Temperature: -40°C to +85°C

Reflow Soldering Temperature : 255°C to 265°C, 5-10 seconds

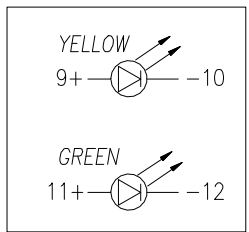
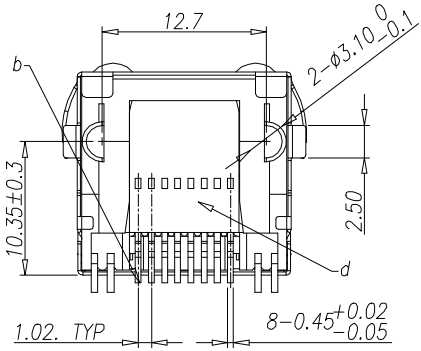


RECOMMEND PCB LAYOUT

PCB THICKNESS: 1.60mm.

Jack Top View

PCB LAYOUT TOLERANCE: ±0.05mm.



MJ5611SE - X X X X X X

No. of Positions			Packing Style
4,6,8	Positions Loaded	Contact Plating	1 - Tape & Reel 2 - Plastic Tray
2,4,6,8	LED	Insulator Material	1 - 1μ" 2 - 3μ" 3 - 6μ" 4 - 15μ" 5 - 30μ"
	0 - Without 1 - G/Y 2 - Y/G 3 - Other	1 - PBT 2 - PA66 3 - PA46 4 - LCP 5 - PA9T	

GENERAL TOLERANCE	ANGLE TOLERANCE	PROJECTION		TITLE	Shielded SMT RJ45 Jack, w/ LED, with EMI, 90 Degree	
X. ±0.60 .X ±0.38 .XX ±0.25	X. ±5° .X ±3° .XX ±2°	UNITS	mm	SHEET SIZE	A4	SERIES SMT SERIES
DRAWING TYPE	CUSTOMER		WAYCONN CO.,LTD			
SCALE	1:1	SHEET 1 OF 1				
DRAWING NO.	MJ5611SE - XXXXXX					