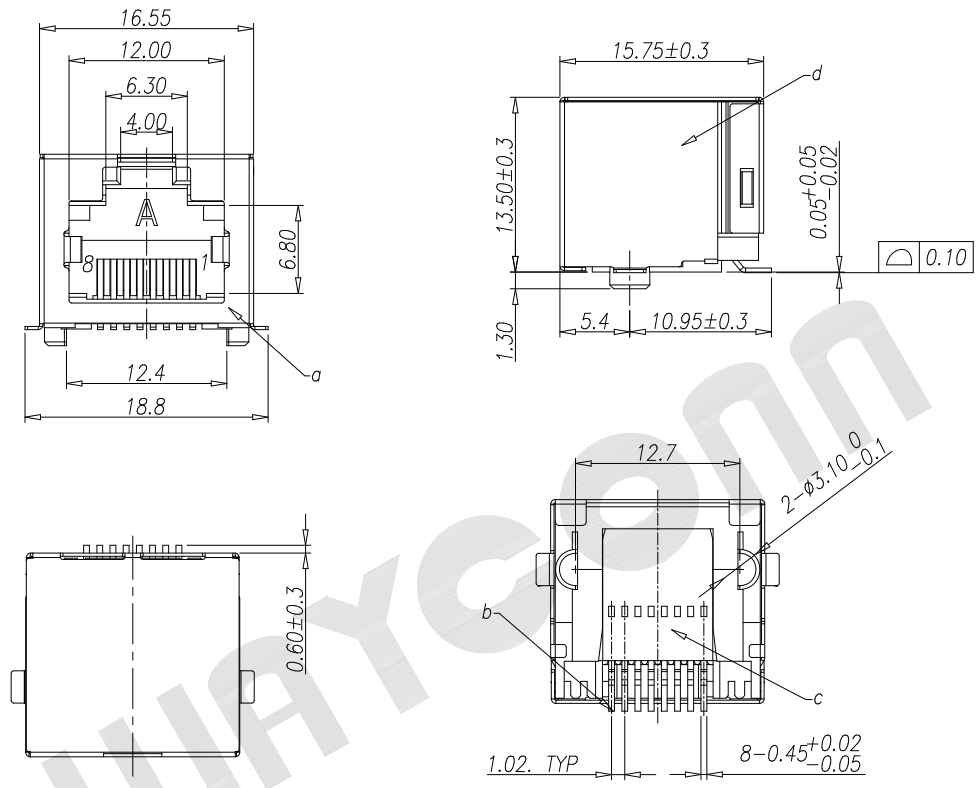


| REV. | DESCRIPTION | DRAWN | CHECKED | APPROVED |
|------|-------------|---------------|---------|----------|
| A | NEW RELEASE | JLZ 03/24/16' | ~ | |



Description:
Shielded RJ45 SMT Connector Right Angle 8PIN

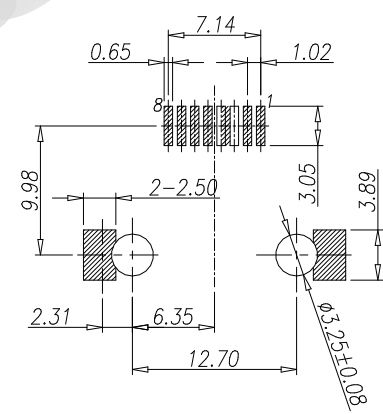
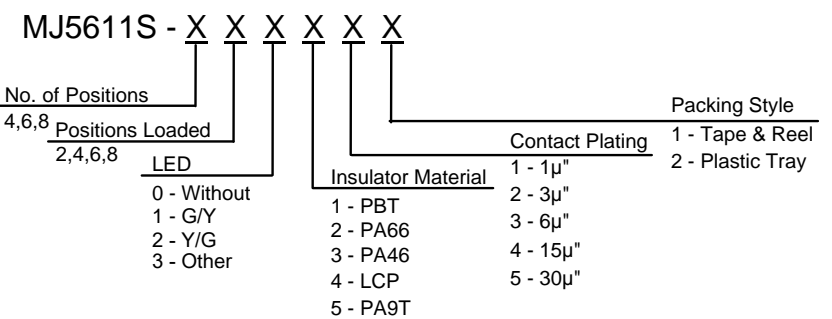
Material:
Housing Material: High Temp Nylon, LCP, PA9T, UL94V-0
Contact Material: Phosphor Bronze T-0.35mm Thickness
Plating: Selective Gold Plating on Contact Area
Gold Plating Thickness: (Au 1u", 3u", 6u", 15u", 30u", 50u")
100u" Min. Matte Tin Plated on Soldering Area
50u" Min. Nickel Plated Overall
Shell: Copper Alloy, 0.25mm Thickness

Electrical:
Voltage Rating: 125 V AC RMS
Current Rating: 1.5 Amp
Contact Resistance: 30mΩ Max.
Insulation Resistance: 500MΩ Min. @ 500 VDC
Dielectric Withstanding Resistance: 1000 VAC RMS 50Hz, 1 Min.

Mechanical:
Durability : 750 Cycles Min.

Environmental:
Storage Temperature : -40°C to +85°C
Operation Temperature: -40°C to +85°C

Reflow Soldering Temperature : 255°C to 265°C, 5-10 seconds



| GENERAL TOLERANCE | ANGLE TOLERANCE | PROJECTION | TITLE |
|-----------------------|------------------|------------------------|-----------------------------|
| X. ±0.60 | X. ±5° | mm | Shielded RJ45 SMT Connector |
| .X ±0.38 | .X ±3° | | Right Angle 8PIN |
| .XX ±0.25 | .XX ±2° | A4 | SERIES SMT SERIES |
| DRAWING TYPE CUSTOMER | | WAYCONN CO.,LTD | |
| SCALE | 1:1 SHEET 1 OF 1 | | |
| DRAWING NO. | MJ5611S-XXXXXX | | |