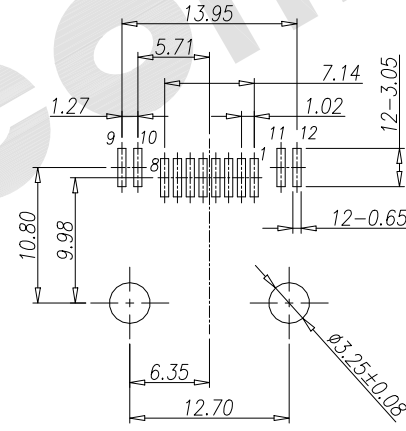
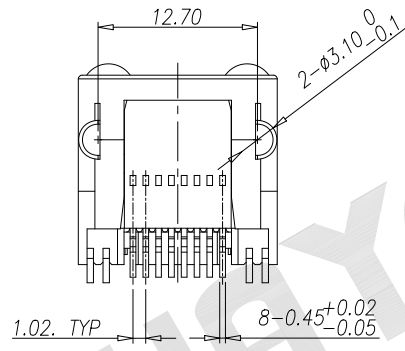
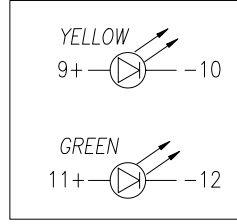
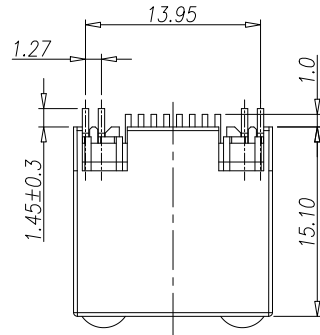
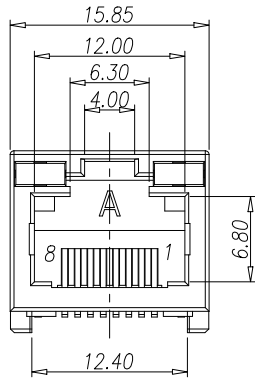
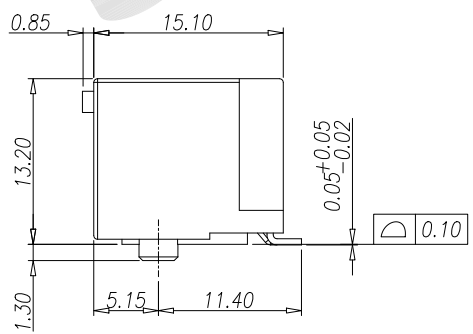


REV.	DESCRIPTION	DRAWN	CHECKED	APPROVED
A	NEW RELEASE	JLZ 03/24/16'	~	



RECOMMEND PCB LAYOUT
 PCB THICKNESS: 1.60mm.
 Jack Top View
 PCB LAYOUT TOLERANCE: ±0.05mm.



Description:

Right Angle Unshielded RJ45 SMT with LED

Material:

Housing Material: High Temp Nylon, LCP, PA9T, UL94V-0
 Contact Material: Phosphor Bronze T-0.35mm Thickness
 Plating: Selective Gold Plating on Contact Area
 Gold Plating Thickness: (Au 1u", 3u", 6u", 15u", 30u", 50u")
 100u" Min. Matte Tin Plated on Soldering Area
 50u" Min. Nickel Plated Overall
 Shell: Copper Alloy, 0.25mm Thickness

Electrical:

Voltage Rating: 125 V AC RMS
 Current Rating: 1.5 Amp
 Contact Resistance: 30mΩ Max.
 Insulation Resistance: 500MΩ Min. @ 500 VDC
 Dielectric Withstanding Resistance: 1000 VAC RMS 50Hz, 1 Min.

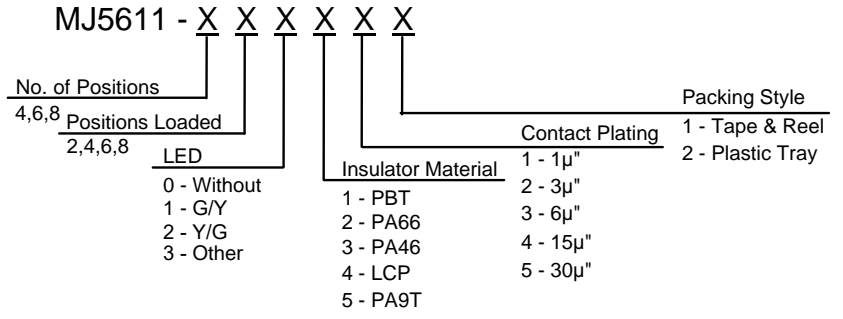
Mechanical:

Durability : 750 Cycles Min.

Environmental:

Storage Temperature : -40°C to +85°C
 Operation Temperature: -40°C to +85°C

Reflow Soldering Temperature : 255°C to 265°C, 5-10 seconds



GENERAL TOLERANCE	ANGLE TOLERANCE	PROJECTION	TITLE	Right Angle Unshielded RJ45 SMT
X. ±0.60	X. ±5°	mm	Connector with LED	
.X ±0.38	.X ±3°		SERIES	SMT SERIES
.XX ±0.25	.XX ±2°			
DRAWING TYPE	CUSTOMER	WAYCONN CO.,LTD		
SCALE	1:1 SHEET 1 OF 1			
DRAWING NO.	MJ5611- XXXXXX			