

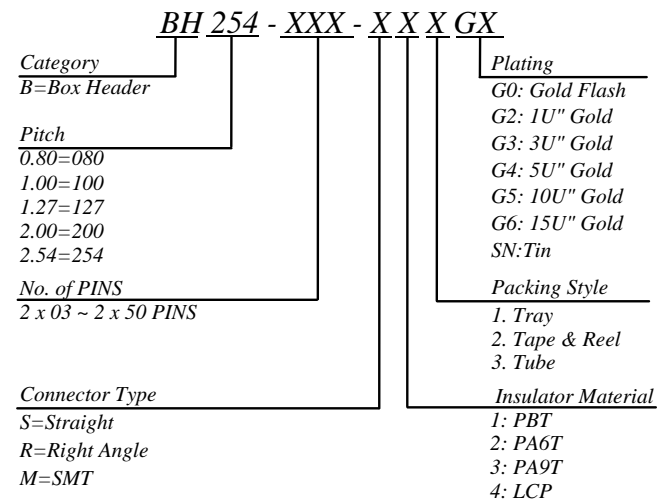
Recommended PCB Layout
(PCB TOLERANCE ±0.1)

1. MATERIAL

- 1.1 INSULATOR: POLYESTER (UL 94V-0);
STANDARD: PA6T
- 1.2 CONTACT MATERIAL: COPPER ALLOY.
- 1.3 CONTACT PLATING: Au or Sn Over Ni

2. SPECIFICATION

- 2.1 CURRENT RATING: 3.0 Amp.
- 2.2 INSULATION RESISTANCE: 1000mΩ Min.
- 2.3 DIELECTRIC WITHSTANDING: 500VAC.
- 2.4 CONTACT RESISTENCE: 20mΩ Max.
- 2.5 OPERATING TEMPERATURE: -40°C TO +105°C.



<i>PRODUCT TITLE:</i>		2.54mm Box Header, Elevated, Thru-Hole	
<i>UNLESS OTHERWISE SPECIFIED TOLERANCES</i>	<i>SCALE:</i> 1/1	<i>UNIT:</i> mm	BH254-2XX-SXXGX-07
	<i>SIZE:</i> A3	<i>PAGE:</i> 1 OF 1	
<i>DECIMALS:</i>	<i>ANGLES:</i>	WAYCONN ELECTRONICS	
X : ±0.5	X : ±6°		
X.X : ±0.3	X.X : ±3°		
X.XX : ±0.2	X.XX : ±2°		