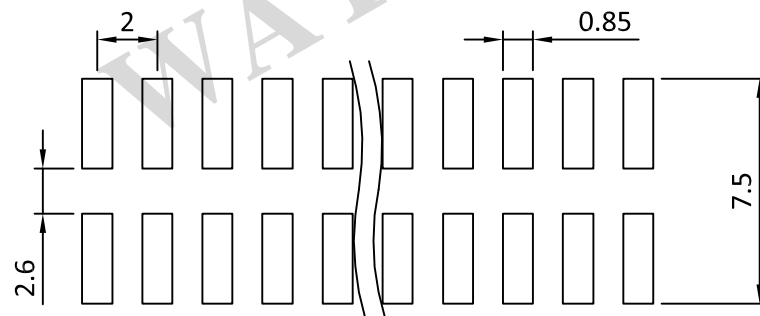
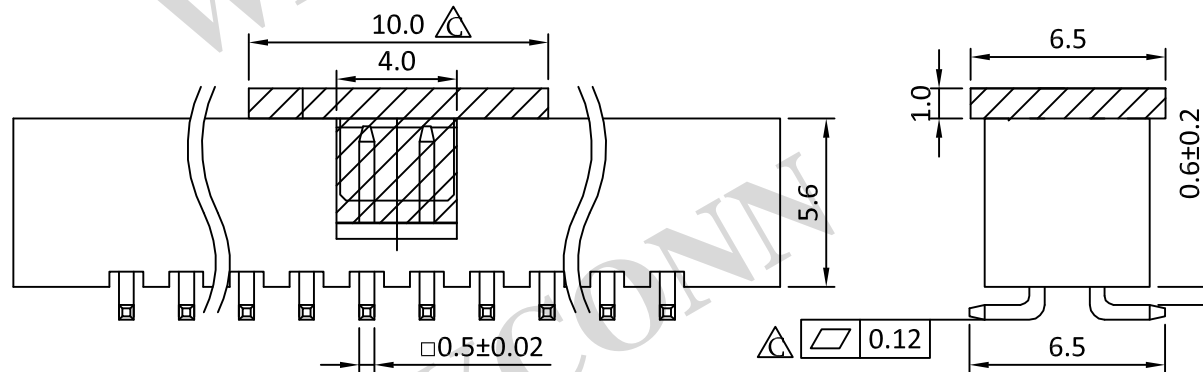


**1. MATERIAL**

- 1.1 INSULATOR: POLYESTER (UL 94V-0);  
STANDARD: PA6T
- 1.2 CONTACT MATERIAL: COPPER ALLOY.
- 1.3 CONTACT PLATING: Au or Sn Over Ni

**2. SPECIFICATION**

- 2.1 CURRENT RATING: 2.0 Amp.
- 2.2 INSULATION RESISTANCE: 1000mΩ Min.
- 2.3 DIELECTRIC WITHSTANDING: 500VAC.
- 2.4 CONTACT RESISTANCE: 20mΩ Max.
- 2.5 OPERATING TEMPERATURE: -40°C TO +105°C.



**Recommended PCB Layout**  
(PCB TOLERANCE ±0.1)

**BH 200 - XXX - XXX GX**

<b>Category</b> B=Box Header	<b>Plating</b> G0: Gold Flash G2: 1U" Gold G3: 3U" Gold G4: 5U" Gold G5: 10U" Gold G6: 15U" Gold SN: Tin
<b>Pitch</b> 0.80=080 1.00=100 1.27=127 2.00=200 2.54=254	<b>Packing Style</b> 1. Tray 2. Tape & Reel 3. Tube
<b>No. of PINS</b> 1 x 01 ~ 1 x 40 PINS 2 x 01 ~ 2 x 40 PINS 3 x 01 ~ 3 x 40 PINS	<b>Insulator Material</b> 1: PBT 2: PA6T 3: PA9T 4: LCP
<b>Connector Type</b> S=Straight R=Right Angle M=SMT	

<b>PRODUCT TITLE:</b> 2.00mm box header, SMT Type, H:5.6mm			
<b>UNLESS OTHERWISE SPECIFIED TOLERANCES</b>	SCALE: 1/1 UNIT: mm		<b>BH200-2XX-MXXGX-01</b>
	SIZE: A3	PAGE: 1 OF 1	
<b>DECIMALS:</b> X :±0.5 X.X :±0.3 X.XX :±0.2	<b>ANGLES:</b> X :±6° X.X :±3° X.XX :±2°	<b>WAYCONN ELECTRONICS</b>	