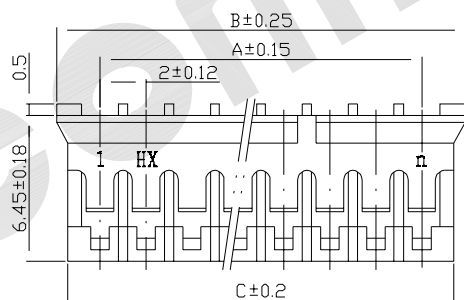
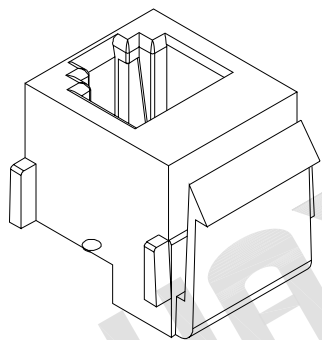
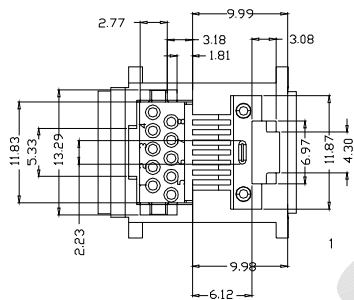
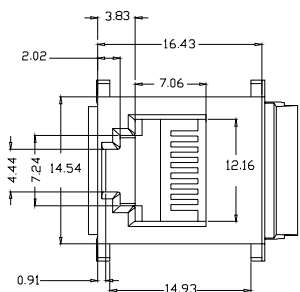


| REV. | DESCRIPTION | DRAWN | CHECKED | APPROVED |
|------|-------------|---------------|---------|----------|
| A | NEW RELEASE | JLZ 03/24/16' | ~ | |



Material:

Housing Material: ABS (UL94V-0)

Contact Material: Phosphor Bronze, Round PIN 0.46mm

Plating: Gold Plating over Nickel

Terminal: Brass

Wire: UL 1061 26 AWG

Electrical:

Voltage Rating: 125 VAC RMS

Current Rating: 1.5 Amp

Contact Resistance: 30mΩ Max.

Insulation Resistance: 500MΩ Min. @ 500 VDC

Dielectric Withstanding Resistance: 1000 V AC RMS 60Hz, 1Min.

Mechanical:

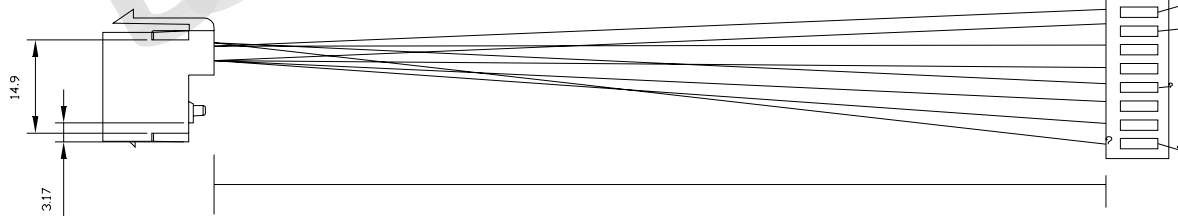
Durability : 750 Cycles Min.

Environmental:

Storage: 0°C to +70°C

Operation: 0°C to +70°C

PH:2.0



648K - X X X X X

| No. of Positions | Positions Loaded | Wire | Housing Color | Contact Plating |
|------------------|------------------|--|-------------------------------------|---|
| 4,6,8 | 2,4,6,8 | 1 - 24 AWG 2 - 26 AWG 3 - 28 AWG | 1 - Black 2 - Grey 3 - Others | 1 - G/Fμ" 2 - 3μ" 3 - 6μ" 4 - 15μ" 5 - 30μ" 6 - 50μ" |

| GENERAL TOLERANCE | | ANGLE TOLERANCE | | PROJECTION | TITLE |
|-------------------|-------|-----------------|--------------|------------------------|---|
| X. | ±0.60 | X. | ±5° | mm | 648K Wired Jack; PH2.0, PH2.54 with Terminal Housing Connector |
| .X | ±0.38 | .X | ±3° | | |
| .XX | ±0.25 | .XX | ±2° | | |
| DRAWING TYPE | | CUSTOMER | | WAYCONN CO.,LTD | |
| SCALE | | 1:1 | SHEET 1 OF 1 | | |
| DRAWING NO. | | 648K-XXXXX | | | |

WAYCONN CO.,LTD